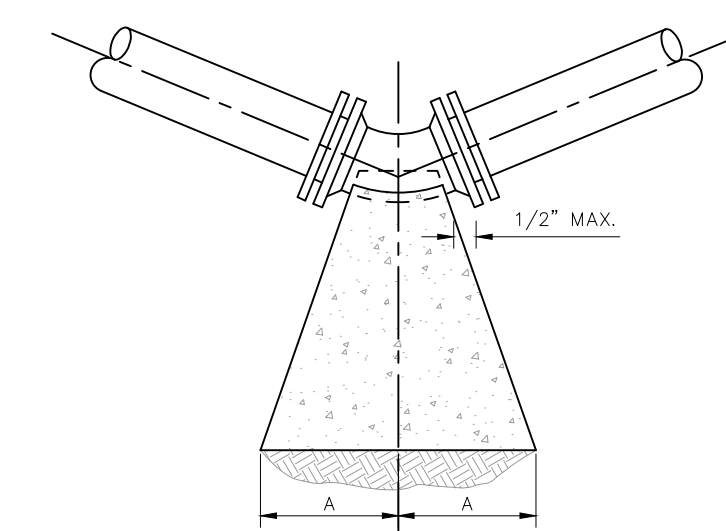


SIZE	TEE		CU. FT. CONC.
	A	B	
6"	10"	12"	3.5
8"	13"	16"	5.4
10"	16"	20"	9.4
12"	18"	24"	16.6
14"	22"	27"	23.2
16"	24"	30"	28.6
18"	26"	32"	36.2

- NOTES:**
1. ALL BEARING SURFACES TO BE CARRIED TO UNDISTURBED SOIL.
 2. THESE TABLES SHOW MINIMUM SIZE THRUST BLOCKS FOR GOOD SOIL. (A-1 THRU A-3, CLEAN SAND AND GRAVELS)
 3. POOR SOIL (A-4 THRU A-8, SILTY SOILS, CLAYS, MUCK AND PEAT) WILL REQUIRE LARGER THRUST BLOCKS.

THRUST BLOCK DETAIL
N.T.S.

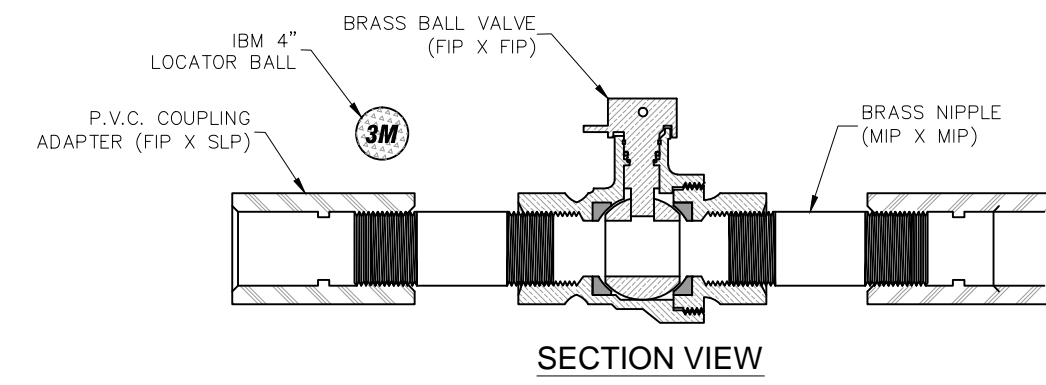
SIZE	PLUG		CU. FT. CONC.
	C	D	
6"	10"	21"	2.6
8"	12"	29"	4.5
10"	14"	36"	6.9
12"	16"	41"	9.0
14"	18"	48"	12.3
16"	20"	54"	15.2
18"	22"	60"	19.2



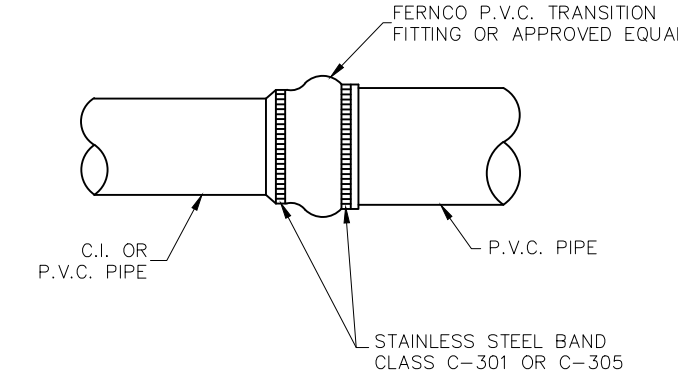
SIZE	1/4 BENDS			1/8 BENDS			1/16 BENDS		
	A	B	CONC.	A	B	CONC.	A	B	CONC.
6"	16"	10"	3.2	9"	10"	3.0	6"	8"	1.3
8"	22"	13"	7.2	12"	13"	3.7	8"	10"	2.1
10"	26"	17"	11.5	14"	17"	5.9	10"	13"	3.6
12"	29"	21"	21.1	16"	21"	8.6	11"	16"	6.6
14"	35"	24"	29.8	19"	24"	14.9	12"	20"	8.9
16"	38"	27"	37.8	21"	27"	19.1	12"	24"	11.2
18"	42"	29"	47.8	22"	29"	24.2	13"	26"	14.2

- NOTES:**
1. ALL BEARING SURFACES TO BE CARRIED TO UNDISTURBED SOIL.
 2. THESE TABLES SHOW MINIMUM SIZE THRUST BLOCKS FOR GOOD SOIL. (A-1 THRU A-3, CLEAN SAND AND GRAVELS)
 3. POOR SOIL (A-4 THRU A-8, SILTY SOILS, CLAYS, MUCK AND PEAT) WILL REQUIRE LARGER THRUST BLOCKS.

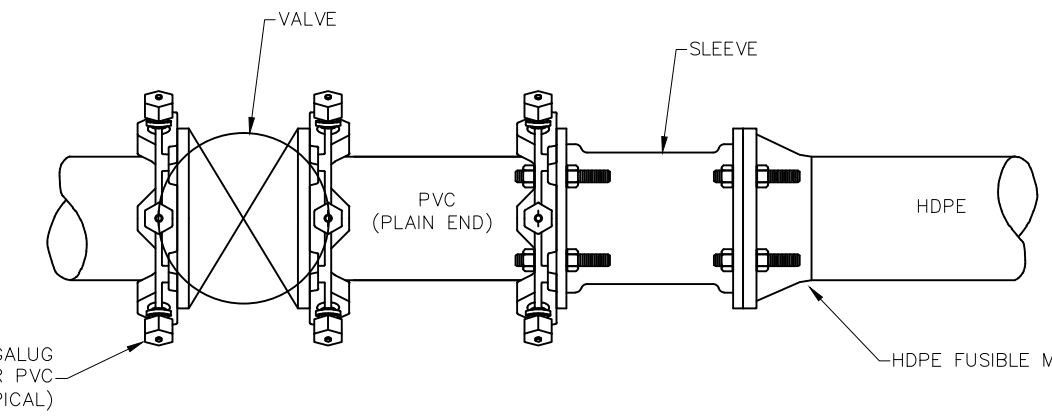
THRUST BLOCK DETAIL
N.T.S.



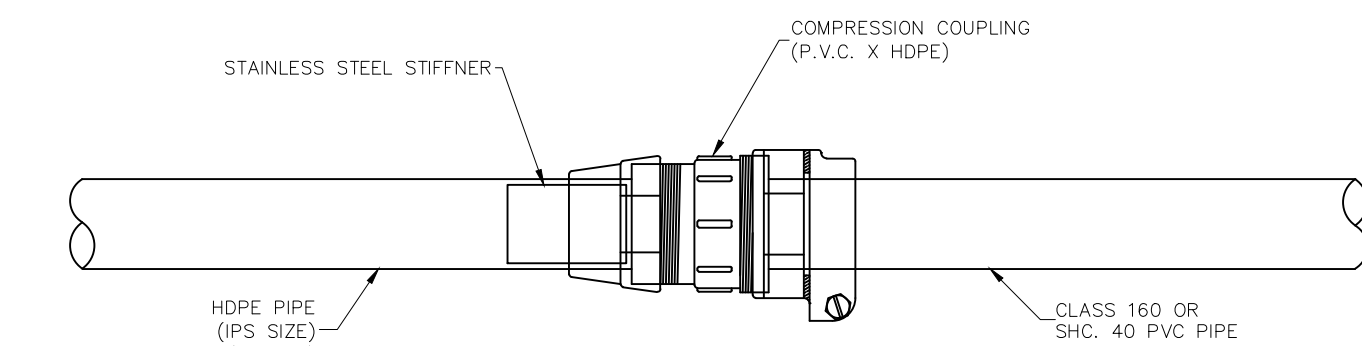
TYPICAL BRASS BALL VALVE CONNECTION
N.T.S.



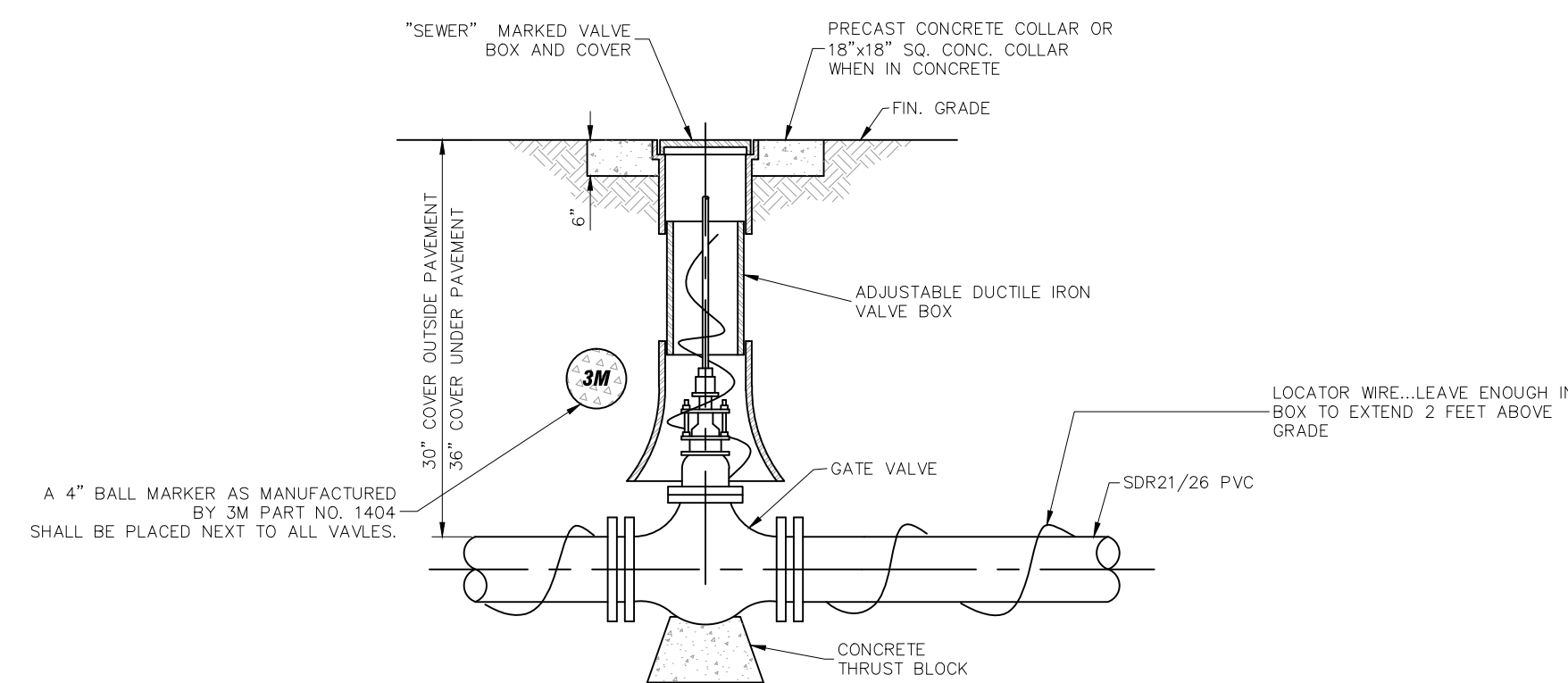
C.I. TO P.V.C. COUPLING ADAPTER
N.T.S.



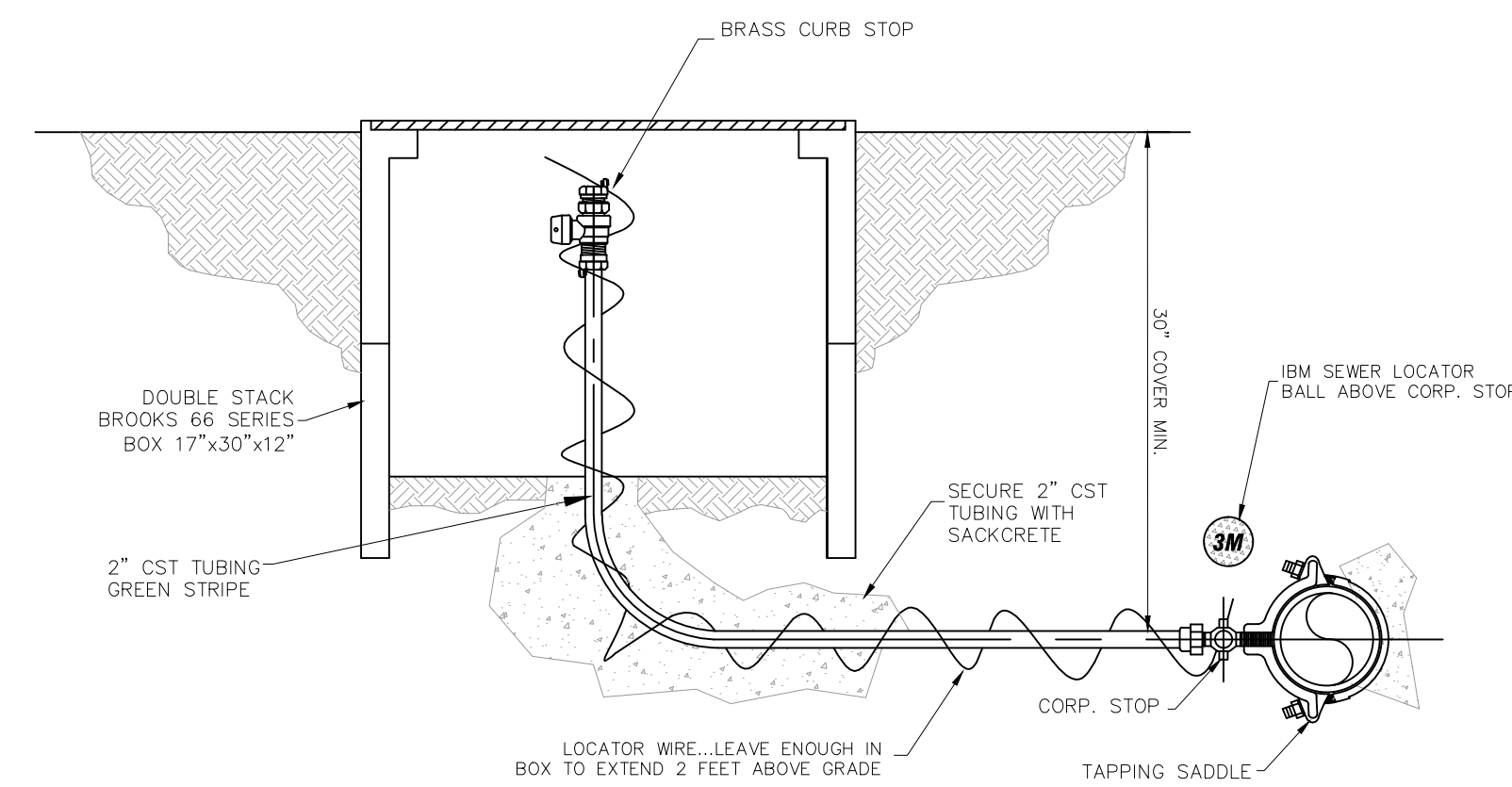
HDPE-TO-PVC CONNECTION (3\"/>



HDPE TO PVC TRANSITION (UP TO 2\"/>



TYPICAL INLINE VALVE
N.T.S.



TYPICAL CLEANOUT
N.T.S.

APPROVED FOR 2011

GENERAL NOTES:

1) ALL CONSTRUCTION MUST BE IN ACCORDANCE WITH THE LATEST EDITION OF REGIONAL UTILITIES' STANDARD SPECIFICATIONS.

NO.	DATE	APPR.	REVISION
1	3/02/10	NOC	UPDATE CONSTRUCTION DETAILS

REGIONAL UTILITIES
OPERATED BY FLORIDA COMMUNITY SERVICES CORPORATION OF WALTON COUNTY INC.

70 Logan Lane
Grayton Beach, FL 32459
Phone: (850) 231-5114
Fax: (850) 231-4924

PROJECT NAME: PRESSURE SEWER
SHEET TITLE: PS-2

PROJECT NAME:	PRESSURE SEWER
SHEET TITLE:	PS-2
DRAWN BY:	CHECKED BY:
RT	NOC
PROJECT NO.:	000-000
DRAWING SCALE:	N.T.S.
PLOT DATE:	6/22/10
SHEET NO.:	2 OF 2
SHEET:	PS-2