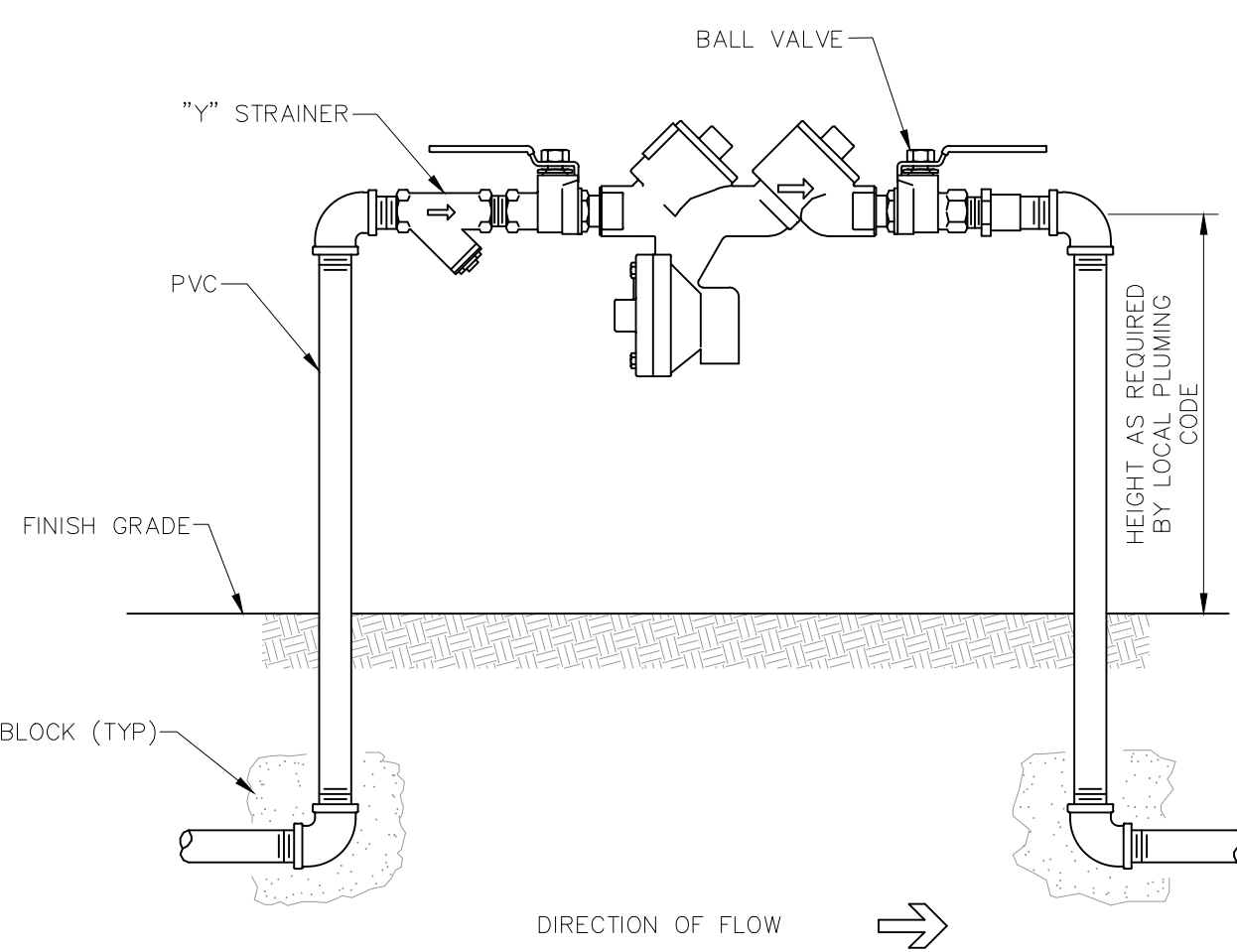


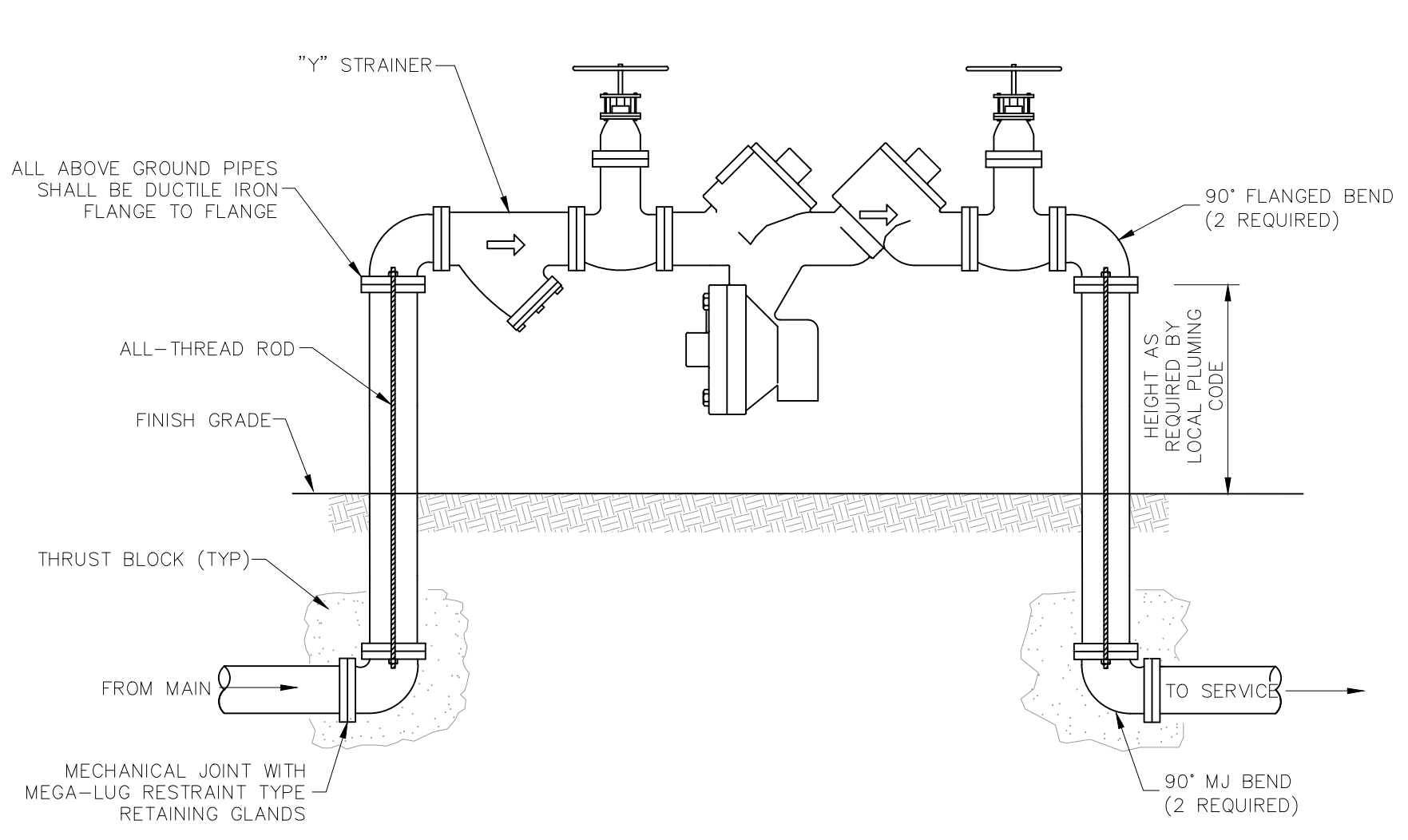
**BELOW GRADE FLUSHING HYDRANT DETAIL**  
N.T.S.

- NOTES:
1. FLUSH HYDRANTS SHALL BE INSTALLED BETWEEN BACK OF CURB AND FACE OF SIDEWALK WITHIN R/W EXCEPT WHERE CONDITIONS AND/OR REGULATION PROHIBIT. FLUSH HYDRANTS SHALL BE LOCATED WITHIN RIGHTS OF WAY OR UTILITY EASEMENTS.
  2. VALVE BOXES SHALL BE HEIGHT ADJUSTABLE.
  3. METER BOX AND COVER SHALL BE TRAFFIC RATED.
  4. 2" SULLINE FLUSH HYD. 3.5FT BURY NO. SP-GRUFH204K SHALL BE MANUFACTURED BY GIL INDUSTRIES, COMPLETE w/ CAM & GROOVE QUICK CONNECT AND DUST CAP.



**RPZ ASSEMBLY BACKFLOW PREVENTER**  
3/4"-2"  
N.T.S.

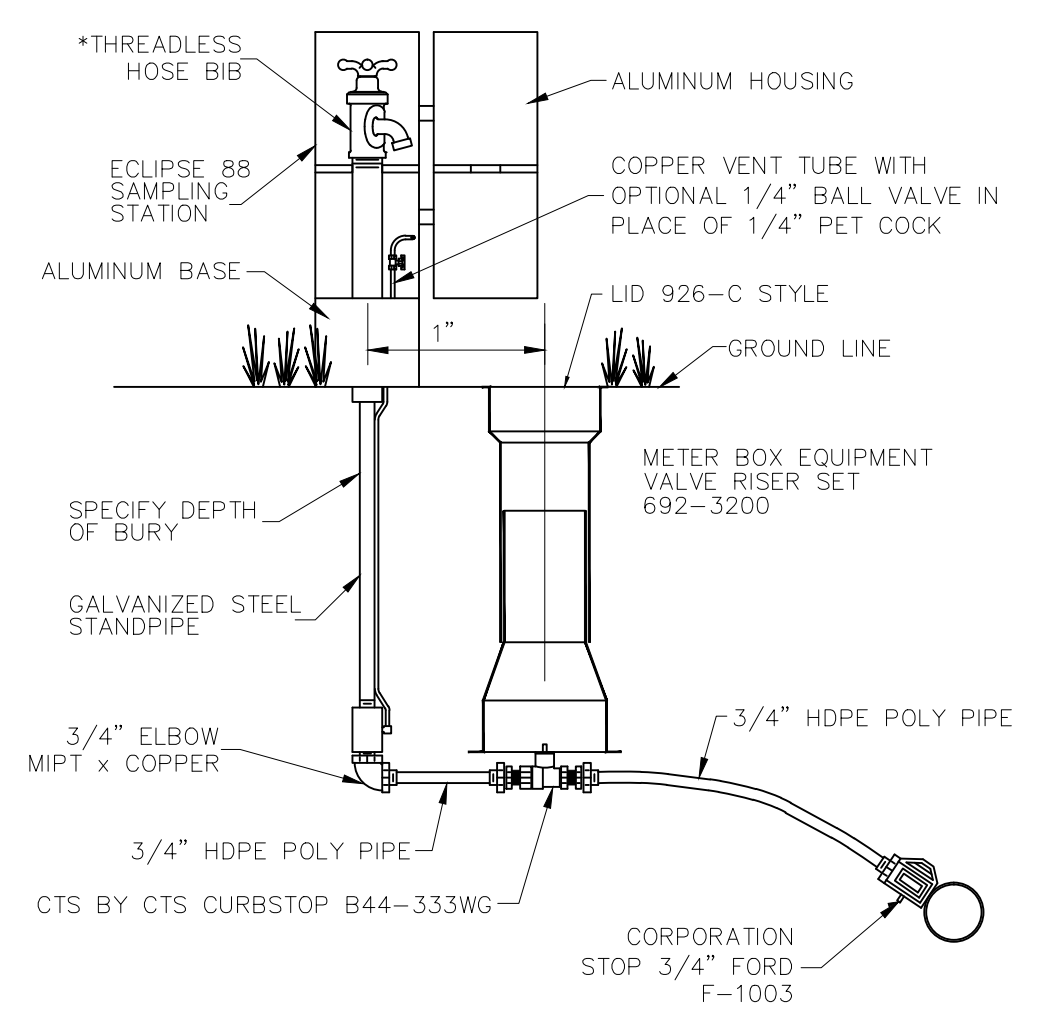
- NOTES:
1. RPZ SHALL BE WILKINS UNLESS OTHERWISE APPROVED BY REGIONAL UTILITIES
  2. DEVICE TO BE INSULATED WITH APPROVED MATERIALS



**RPZ ASSEMBLY BACKFLOW PREVENTER**  
3" AND UP  
N.T.S.

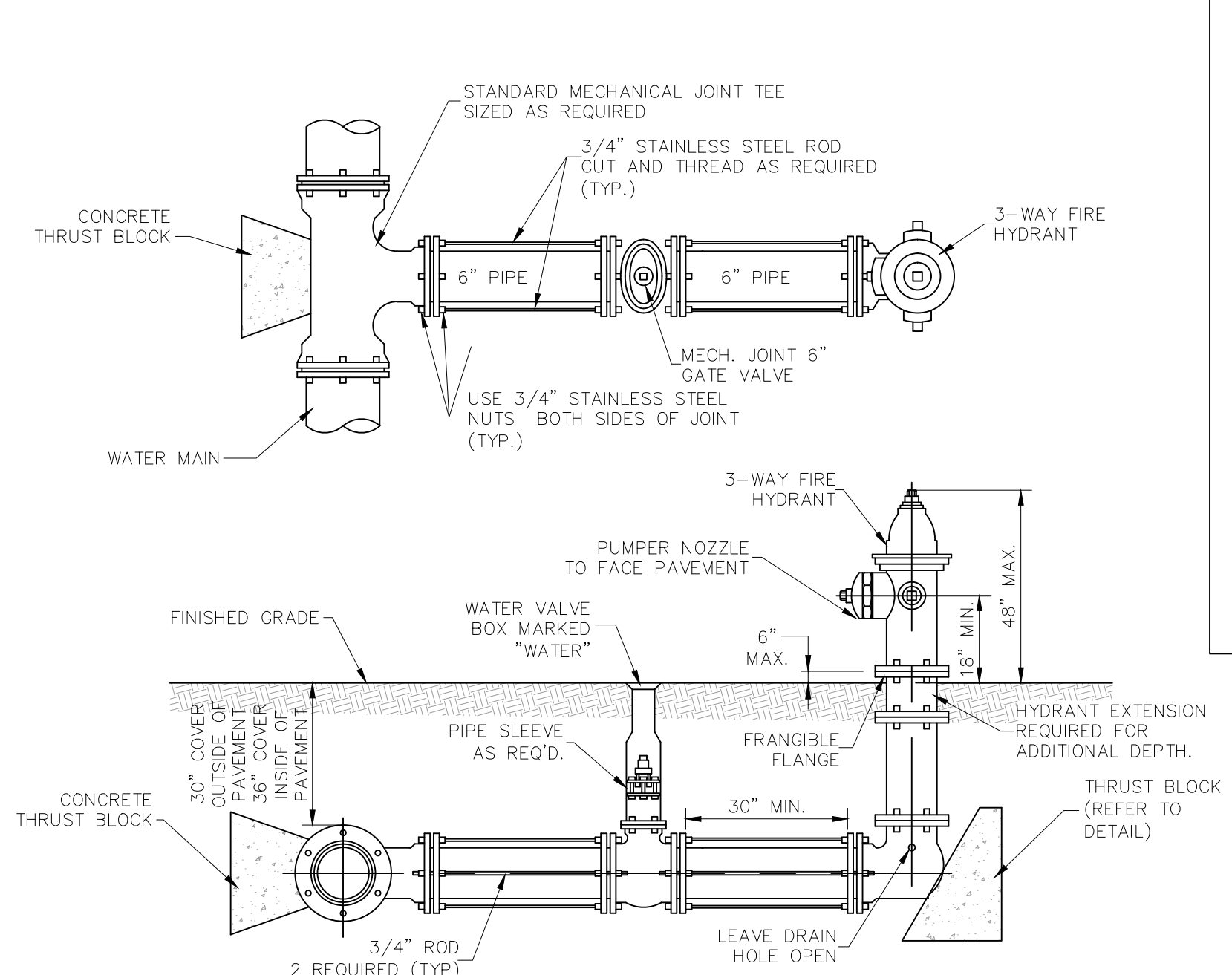
- NOTES:
1. RPZ SHALL BE WILKINS UNLESS OTHERWISE APPROVED BY REGIONAL UTILITIES
  2. DEVICE TO BE INSULATED WITH APPROVED MATERIALS

**APPROVED FOR 2011**



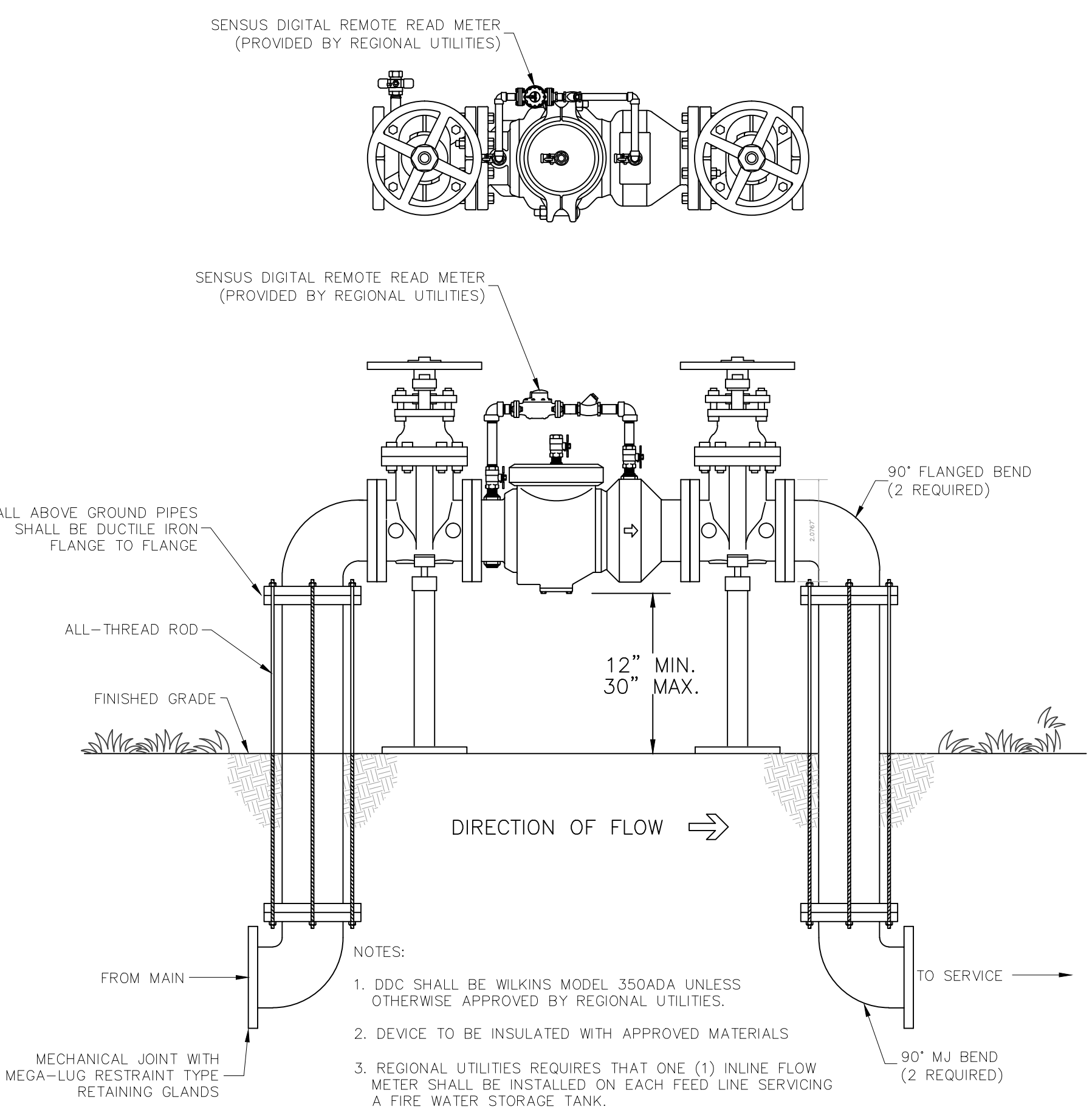
- NOTES:
- 1) SAMPLING STATIONS SHALL BE 2.5' BURY, WITH A 3/4" FIP INLET, AND A (3/4" HOSE OR UNTHREADED) NOZZLE.
  - 2) ALL STATIONS SHALL BE ENCLOSED IN A LOCKABLE, NON-REMOVABLE, ALUMINUM-CAST HOUSING.
  - 3) WHEN OPENED, THE STATION SHALL REQUIRE NO KEY FOR OPERATION, AND THE WATER WILL FLOW IN AN ALL BRASS WATERWAY.
  - 4) ALL WORKING PARTS WILL ALSO BE OF BRASS AND BE REMOVABLE FROM ABOVE GROUND WITH NO DIGGING. EXTERIOR PIPING SHALL BE GALVANIZED STEEL (BRASS PIPE ALSO AVAILABLE).
  - 5) A COPPER VENT TUBE WILL ENABLE EACH STATION TO BE PUMPED FREE OF STANDING WATER TO PREVENT FREEZING AND TO MINIMIZE BACTERIA GROWTH.
  - 6) ECLIPSE NO. 88 SAMPLING STATION SHALL BE MANUFACTURED BY KUPFERLE FOUNDRY, ST. LOUIS, MO 63102.

**TYPICAL WATER SAMPLING STATION**  
N.T.S.



**TYPICAL FIRE HYDRANT INSTALLATION**  
N.T.S.

- NOTES:
1. FIRE HYDRANTS SHALL BE INSTALLED BETWEEN BACK OF CURB AND FACE OF SIDEWALK WITHIN R/W EXCEPT WHERE CONDITIONS AND/OR REGULATION PROHIBIT. FIRE HYDRANTS SHALL BE LOCATED WITHIN RIGHTS OF WAY OR UTILITY EASEMENTS.
  2. ALL RODS AND ASSOCIATED HARDWARE SHALL BE STAINLESS STEEL.
  3. ALL MECHANICAL JOINTS SHALL USE MEGA-LUG RESTRAINT TYPE RETAINING GLANDS.
  4. VALVE BOXES SHALL BE HEIGHT ADJUSTABLE.



**FIRE LINE BACK FLOW PREVENTER**  
N.T.S.

- NOTES:
1. DDC SHALL BE WILKINS MODEL 350ADA UNLESS OTHERWISE APPROVED BY REGIONAL UTILITIES.
  2. DEVICE TO BE INSULATED WITH APPROVED MATERIALS
  3. REGIONAL UTILITIES REQUIRES THAT ONE (1) INLINE FLOW METER SHALL BE INSTALLED ON EACH FEED LINE SERVICING A FIRE WATER STORAGE TANK.

**GENERAL NOTES - POTABLE WATER CONSTRUCTION**

1. CONTRACTOR SHALL COORDINATE INSTALLATION OF POTABLE WATER MAINS WITH ALL OTHER UTILITIES PRIOR TO COMMENCING CONSTRUCTION.
2. HYDROSTATIC TESTS, LEAKAGE TESTS, DISINFECTION, AND BACTERIOLOGICAL TESTS SHALL BE PERFORMED IN ACCORDANCE WITH THE WRITTEN CONSTRUCTION SPECIFICATION OF REGIONAL UTILITIES AND ALL APPLICABLE F.D.E.P. AND AWWA REQUIREMENTS.
3. NO POTABLE WATER MAIN CONSTRUCTION SHALL COMMENCE UNTIL SHOP DRAWINGS HAVE BEEN APPROVED AND A PRE-CONSTRUCTION CONFERENCE HELD WITH REGIONAL UTILITIES STAFF.
4. PROVIDE LOCKS, IN ACCORDANCE WITH THE WRITTEN CONSTRUCTION SPECIFICATIONS OF REGIONAL UTILITIES, ON ALL CURB STOPS.
5. CONTRACTOR SHALL NOTIFY REGIONAL UTILITIES 48 HOURS PRIOR TO COMMENCEMENT OF CONSTRUCTION. UTILITY REPRESENTATIVES WILL PERFORM ALL TAPS OF EXISTING LINES AND MUST WITNESS ALL TIES OF AND TESTS OF NEW LINES.
6. SERVICES INSTALLED UNDER ASPHALT TO BE INSTALLED IN 2" SCHEDULE 40 PVC CASING EXTENDING 4'-0" BEYOND BACK OF CURB.
7. CONTRACTOR SHALL INSTALL NUMBER 12 WIRE AROUND ALL PIPE AND SERVICES. CONTRACTOR MUST PROVIDE ENOUGH WIRE TO EXTEND TWO FEET ABOVE GROUND AT ALL VALVE AND METER BOXES.
8. IT IS REQUIRED THAT ALL NEW AND RELOCATED WATER SERVICES AND PLUMBING SHALL BE IN CONFORMANCE WITH STATE AND FEDERAL REGULATIONS PERTAINING TO THE CONTROL OF LEAD AND COPPER.
9. CONTRACTOR SHALL PROVIDE A PRECAST CONCRETE METER BOX WITH A CAST IRON LID AT THE CURB STOP OF ALL WATER SERVICES AS SHOWN IN THE TYPICAL WATER METER INSTALLATION DETAIL. MATERIALS SHALL BE IN ACCORDANCE WITH THE WRITTEN SPECIFICATIONS OF REGIONAL UTILITIES. METER IS TO BE SET BY REGIONAL UTILITIES.
10. CONTRACTOR SHALL PROVIDE AS-BUILT DRAWINGS IN ACCORDANCE WITH REGIONAL UTILITIES SPECIFICATIONS.
11. THE LOCATION OF ALL WATER SERVICE STUBS ARE TO BE MARKED BY THE LETTER "W" SCRIBED A MINIMUM OF 2" HIGH AND 1/4" DEEP IN CURB. IF NO CURBING IS INSTALLED A 3" SQUARE STEEL TAG INSCRIBED WITH A 2" LETTER "W" IS TO BE ATTACHED TO THE STREET PAVEMENT.
12. A 4" WATER BALL MARKER, AS MANUFACTURED BY 3M PART NO. 1403, SHALL BE PLACED AT ALL INLINE VALVES ALONG WATER MAIN AND AT ALL CORP STOP LOCATIONS.
13. ALL MECHANICAL JOINTS SHALL USE MEGA-LUG RESTRAINT TYPE RETAINING GLANDS.
14. MINIMUM SEPARATION BETWEEN WATER OR SEWER AND ELECTRICAL CONDUITS OR ELECTRICAL LINES SHALL BE 72" MINIMUM HORIZONTAL & 18" VERTICAL WITH ELECTRICAL BEING BELOW THE WATER AND SEWER LINES. IN CASES WHERE 18" VERTICAL SEPARATION CAN NOT BE MET, 96" OF HORIZONTAL SEPARATION SHALL BE REQUIRED.
15. ALL MECHANICAL JOINT FITTINGS ON PRESSURE PIPE SHALL HAVE BOTH "MEGALUG" TYPE JOINT RESTRAINING GLANDS AND THRUST BLOCKS.
16. THE CONTRACTOR IS RESPONSIBLE FOR OBTAINING AND MEETING THE REQUIREMENTS OF REGIONAL UTILITIES STANDARD DETAILS AND SPECIFICATIONS LATEST EDITION.
17. ANY LOCATION WHERE PRESSURE PIPELINES CURVATURE EXCEEDS MANUFACTURERS' SPECIFICATIONS; APPROPRIATE MECHANICAL JOINT FITTINGS SHALL BE USED.
18. ALL 2-INCH VALVES SHALL BE BALL TYPE. 2-INCH GATE VALVES SHALL NOT BE USED.
19. ALL TIE IN TO EXISTING PRESSURIZED PIPELINES SHALL BE BY TAPPING SLEEVE (3 INCH TAP AND LARGER) (OR TAPPING SADDLE, 2 INCH TAP AND SMALLER) AND VALVE.
20. DEVELOPERS OF PRIVATE PROJECTS SHALL PROVIDE ALL WETLANDS PERMITS NECESSARY FOR UTILITY CONSTRUCTION.
21. ALL CONSTRUCTION MUST BE IN ACCORDANCE WITH THE LATEST EDITION OF REGIONAL UTILITIES' STANDARD SPECIFICATIONS.
22. REGIONAL UTILITIES REQUIRES THAT ONE (1) SENSUS COMPACT FIRE LINE METER WITH A FLOW RANGE OF 3.0-4,400 GPM AND IS RATED FOR INSURANCE FOR FIRE SERVICE SHALL BE INSTALLED ON EACH FEED LINE SERVICING A FIRE WATER STORAGE TANK.

**BACKFLOW PREVENTORS**

1. ALL WATER SERVICE LINES SHALL BE REQUIRED TO HAVE A BACKFLOW DEVICE PURSUANT TO REGIONAL UTILITIES SPECIFICATIONS.
2. ALL FIRE LINES SHALL HAVE A DOUBLE DETECTOR CHECK VALVE ASSEMBLY WITH A 3/4" BYPASS METER. THE METER SHALL BE PURCHASED FROM REGIONAL UTILITIES.
3. RPZ TYPE BACKFLOW PREVENTORS ARE REQUIRED FOR ALL HIGH HAZARD WATER USES.
4. ALL BACKFLOW PREVENTORS SHALL BE OF THE TYPE REQUIRED BY F.D.E.P. AWWA AND NFPA CODES AND MUST BE PER REGIONAL UTILITIES BACKFLOW PREVENTION MANUAL.
5. ALL WATER TAPS SHALL BE LOCATED OUT FROM UNDER PROPOSED FUTURE PAVEMENT.
6. ALL SWIMMING POOLS SHALL HAVE RPZ BACKFLOW PREVENTORS.

NO.	DATE	APPR.	NO.	NO.	REVISION
1	3/02/10	NOC	1	1	UPDATE CONSTRUCTION DETAILS
2	5/04/11	NOC	2	1	ADD FIRELINE FLOW METER REQUIREMENT

**REGIONAL UTILITIES**  
OPERATED BY FLORIDA COMMUNITY SERVICES CORPORATION OF WALTON COUNTY INC.

4432 HWY 98 E  
Santa Rosa Beach, FL 32459

Phone: (850) 231-5114  
Fax: (850) 231-9696

PROJECT NAME: \_\_\_\_\_

SHEET TITLE: **POTABLE WATER STANDARD DETAILS**

SEAL: \_\_\_\_\_

DRAWN BY: \_\_\_\_\_ CHECKED BY: \_\_\_\_\_

PROJECT NO.: **000-000**

WORK ORDER: **00.0000**

DRAWING SCALE: **1"=XX'**

PLOT DATE: **May. 12, 11**

SHEET NO. **X** OF **XX**

SHEET: **W-3**