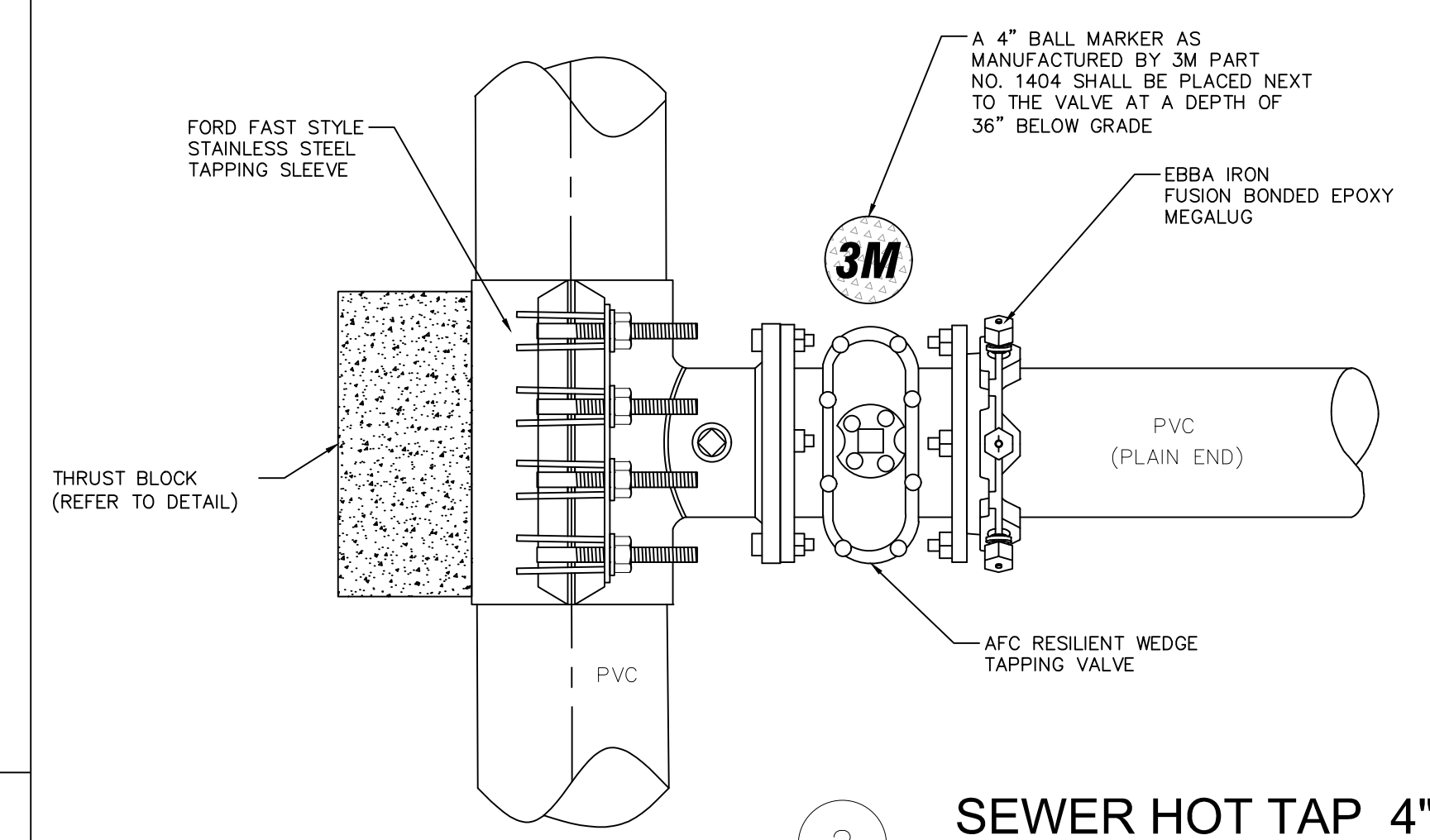
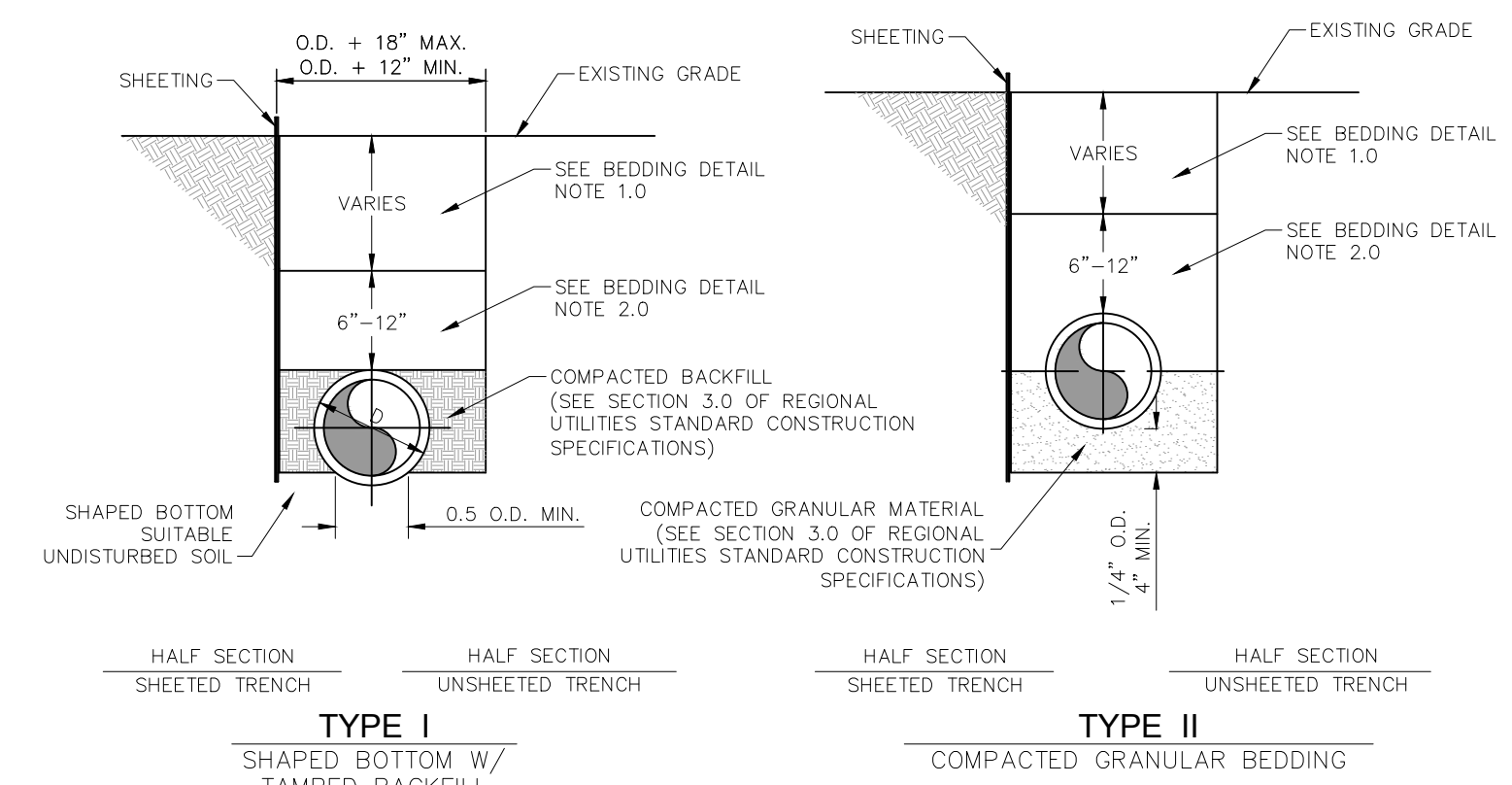


1 **LOW PRESSURE SERVICE**
N.T.S.



2 **SEWER HOT TAP 4\"/>**



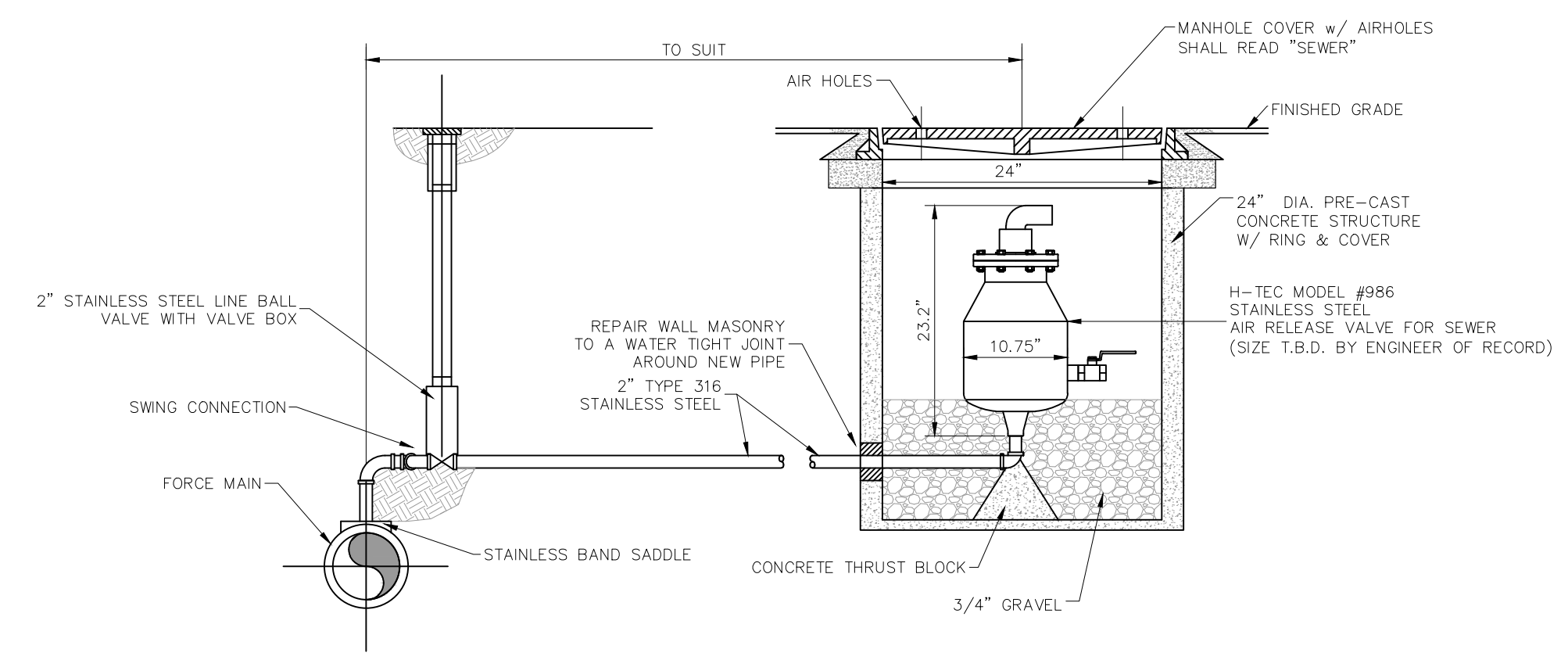
3 **TYPICAL BEDDING DETAIL**
N.T.S.

- BEDDING DETAIL NOTES:**
- 1.0 THE BACKFILL TO A POINT TWELVE (12) INCHES ABOVE THE PIPE SHALL BE PLACED BY HAND AND SHALL BE CAREFULLY SELECTED MATERIAL FREE FROM ROCKS, BOULDERS, CLODS, ORGANIC MATERIAL, OR OTHER DEBRIS AND LIGHTLY COMPACTED PRIOR TO PLACING REMAINING BACKFILL. THE BALANCE OF THE BACKFILL MAY BE PLACED IN THE DITCH BY HAND OR BY MECHANICAL EQUIPMENT. NO BACKFILL SHALL BE DROPPED DIRECTLY ONTO EXPOSED PIPE.
 - 2.0 CONTRACTOR SHALL EMPLOY AN EXCAVATOR-MOUNTED TRENCH ROLLER OR OTHER MECHANICAL COMPACTION EQUIPMENT TO PROVIDE BACKFILL DENSITIES OF 95% OR GREATER AT ±2% OPTIMUM MOISTURE CONTENT. SURFACE FLOODING AND WATER JETTING OF BACKFILL SHALL NOT BE PERMITTED FOR BACKFILL CONSOLIDATION.
 - 3.0 ALL BACKFILL SHALL BE IN ACCORDANCE WITH SECTION 3.0 OF REGIONAL UTILITIES CONSTRUCTION SPECIFICATIONS.
 - 4.0 PIPE COVER SHALL NOT BE LESS THAN 36 INCHES, NOR GREATER THAN 48 INCHES EXCEPT WHERE SPECIFICALLY SHOWN ON THE CONSTRUCTION DRAWINGS AND APPROVED BY REGIONAL UTILITIES.

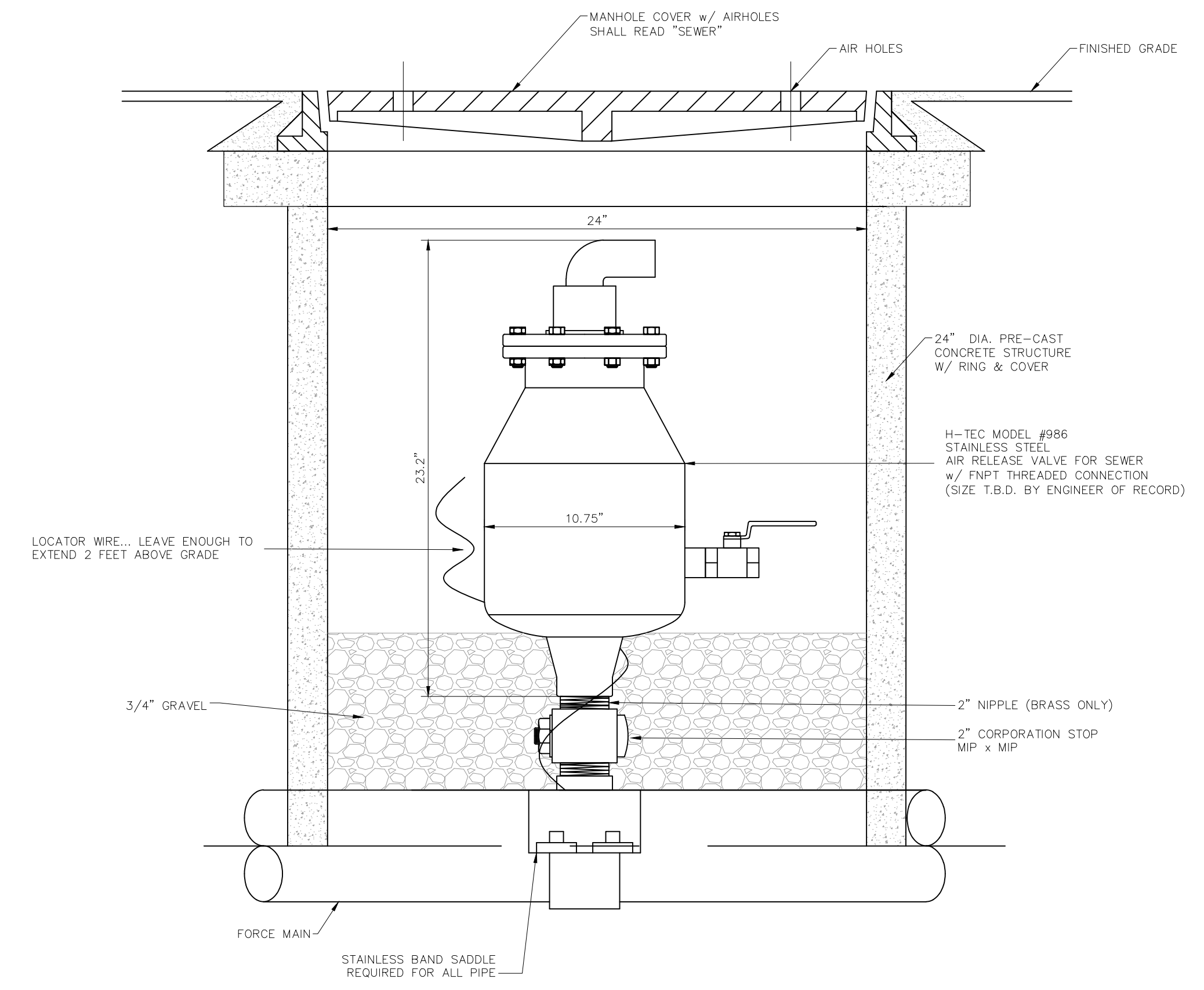
APPROVED FOR 2020

PRESSURE SEWER GENERAL NOTES:

1. ALL MECHANICAL JOINT FITTINGS ON PRESSURE PIPE SHALL HAVE BOTH "MEGALUG" TYPE JOINT RESTRAINING GLANDS AND THRUST BLOCKS.
2. THE CONTRACTOR IS RESPONSIBLE FOR OBTAINING AND MEETING THE REQUIREMENTS OF REGIONAL UTILITIES STANDARD DETAILS AND SPECIFICATIONS LATEST EDITION.
3. ANY LOCATION WHERE PRESSURE PIPELINES CURVATURE EXCEEDS MANUFACTURERS' SPECIFICATIONS; APPROPRIATE MECHANICAL JOINT FITTINGS SHALL BE USED.
4. ALL 2-INCH VALVES SHALL BE BALL TYPE - 2-INCH GATE VALVES SHALL NOT BE USED.
5. ALL TIE IN TO EXISTING PRESSURIZED PIPELINES SHALL BE BY TAPPING SLEEVE (3 INCH TAP AND LARGER) (OR TAPPING SADDLE, 2 INCH TAP AND SMALLER) AND VALVE.
6. DEVELOPERS OF PRIVATE PROJECTS SHALL PROVIDE ALL WETLANDS PERMITS NECESSARY FOR UTILITY CONSTRUCTION.
7. ALL MANHOLES SHALL HAVE FINISHED GRADING AROUND THEM FOR PROTECTION PRIOR TO ACCEPTANCE BY REGIONAL UTILITIES.
8. ALL SEWER MAINS SHALL BE COVERED TO FINISH GRADING FOR PROTECTION PRIOR TO ACCEPTANCE BY REGIONAL UTILITIES.
9. LOCATOR BALLS AS SPECIFIED IN APPROVED MATERIAL LIST SHALL BE REQUIRED AT ALL FORCE MAIN VALVE LOCATIONS.
10. ALL FORCE MAINS SHALL HAVE 12 GAUGE TRACER WIRE WRAPPED ON THEM WITH 2- FEET OF EXTRA WIRE AT ALL VALVE BOXES.
11. JOINT RESTRAINTS SHALL BE REQUIRED ON ALL FORCE MAINS LOCATED IN PAVED AREAS.
12. ALL CONSTRUCTION SHALL BE IN ACCORDANCE WITH REGIONAL UTILITIES' WRITTEN SPECIFICATIONS, LATEST EDITION.
13. AT ALL HIGH POINTS CRESTED DURING FORCE MAIN CONSTRUCTIONS, AIR RELEASE VALVES SHALL BE CONSTRUCTED.



4 **TYPICAL AIR AND/OR VACUUM VALVES**
N.T.S.



5 **TYPICAL PRESSURE SEWER AIR RELEASE MANHOLE**
N.T.S.

NO.	DATE	APPR.	REVISION
1	3/02/10	NOC	UPDATE CONSTRUCTION DETAILS
2	2/11/13	NOC	ADDED NEW AIR RELEASE VALVE
3	1/23/15	RAD	CHANGED LOW PRESSURE SERVICE CONNECTION DETAIL

REGIONAL UTILITIES
OPERATED BY FLORIDA COMMUNITY SERVICES CORPORATION OF WALTON COUNTY INC.

4432 HWY 98 EAST
SANTA ROSA BEACH, FL 32459
Phone: (850) 231-5114
Fax: (850) 231-4924

PROJECT NAME:
SHEET TITLE:
PRESSURE SEWER STANDARD DETAILS

DRAWN BY:	CHECKED BY:
RT	RAD
PROJECT NO.:	000-000
DRAWING SCALE:	N.T.S.
PLOT DATE:	
SHEET NO.:	1 OF 2
SHEET:	PS-1