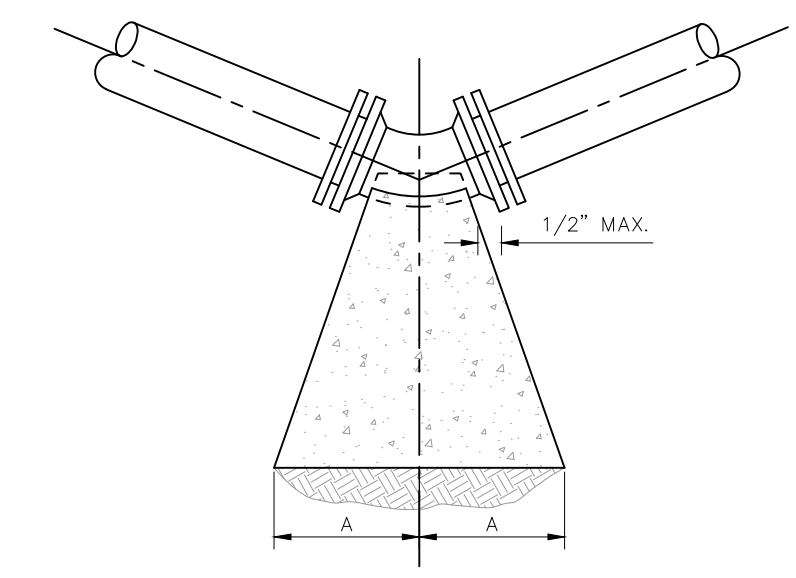


SIZE	TEE		CU. FT.
	A	B	
6"	10"	12"	3.5
8"	13"	16"	5.4
10"	16"	20"	9.4
12"	18"	24"	16.6
14"	22"	27"	23.2
16"	24"	30"	28.6
18"	26"	32"	36.2

- NOTES:**
- ALL BEARING SURFACES TO BE CARRIED TO UNDISTURBED SOIL.
 - THESE TABLES SHOW MINIMUM SIZE THRUST BLOCKS FOR GOOD SOIL (A-1 THRU A-3, CLEAN SAND AND GRAVELS).
 - POOR SOIL (A-4 THRU A-8, SILTY SOILS, CLAYS, MUCK AND PEAT) WILL REQUIRE LARGER THRUST BLOCKS.

SIZE	PLUG		CU. FT.
	C	D	
6"	10"	21"	2.6
8"	12"	29"	4.5
10"	14"	36"	6.9
12"	16"	41"	9.0
14"	18"	48"	12.3
16"	20"	54"	15.2
18"	22"	60"	19.2

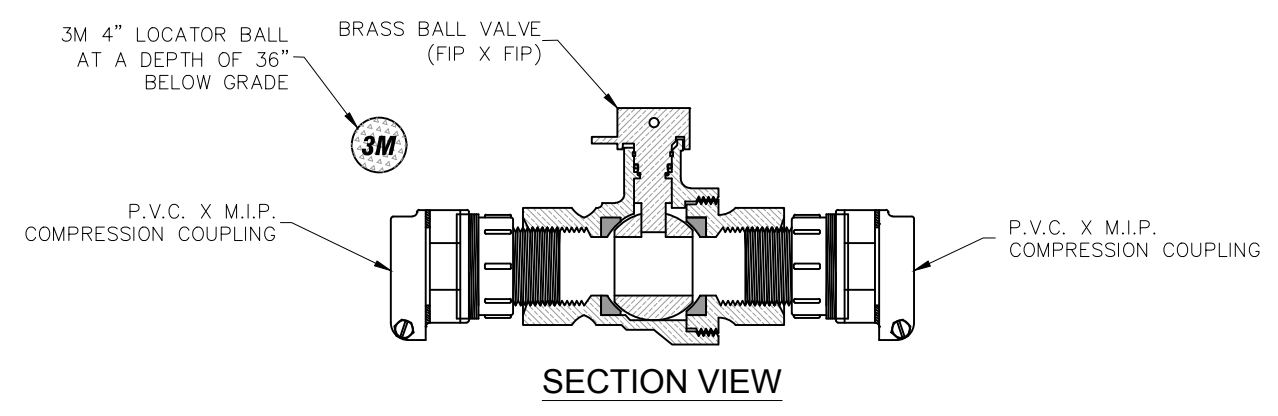
1 **THRUST BLOCK DETAIL**
N.T.S.



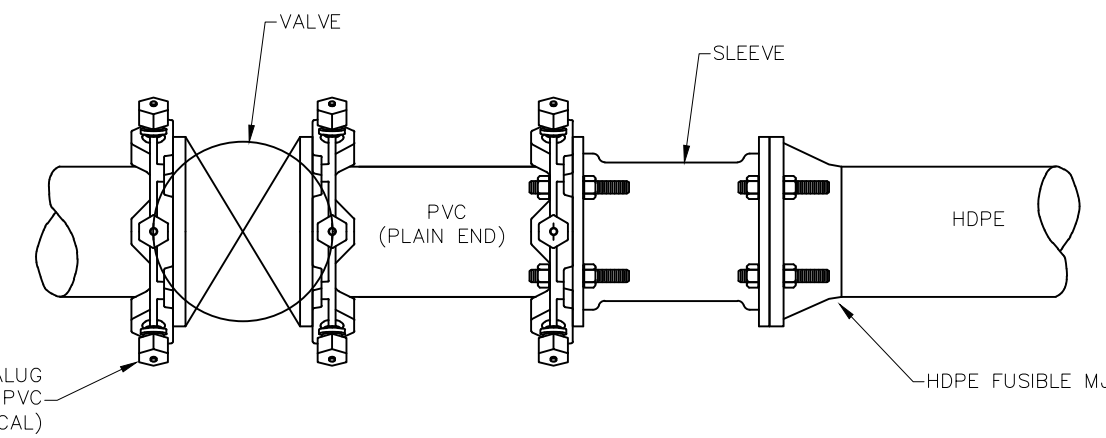
SIZE	1/4 BENDS		CU. FT.	1/8 BENDS		CU. FT.	1/16 BENDS		CU. FT.
	A	B		A	B		A	B	
6"	16"	10"	3.2	9"	10"	3.0	6"	8"	1.3
8"	22"	13"	7.2	12"	13"	3.7	8"	10"	2.1
10"	26"	17"	11.5	14"	17"	5.9	10"	13"	3.6
12"	29"	21"	21.1	16"	21"	8.6	11"	16"	6.6
14"	35"	24"	29.8	19"	24"	14.9	12"	20"	8.9
16"	38"	27"	37.8	21"	27"	19.1	12"	24"	11.2
18"	42"	29"	47.8	22"	29"	24.2	13"	26"	14.2

- NOTES:**
- ALL BEARING SURFACES TO BE CARRIED TO UNDISTURBED SOIL.
 - THESE TABLES SHOW MINIMUM SIZE THRUST BLOCKS FOR GOOD SOIL (A-1 THRU A-3, CLEAN SAND AND GRAVELS).
 - POOR SOIL (A-4 THRU A-8, SILTY SOILS, CLAYS, MUCK AND PEAT) WILL REQUIRE LARGER THRUST BLOCKS.

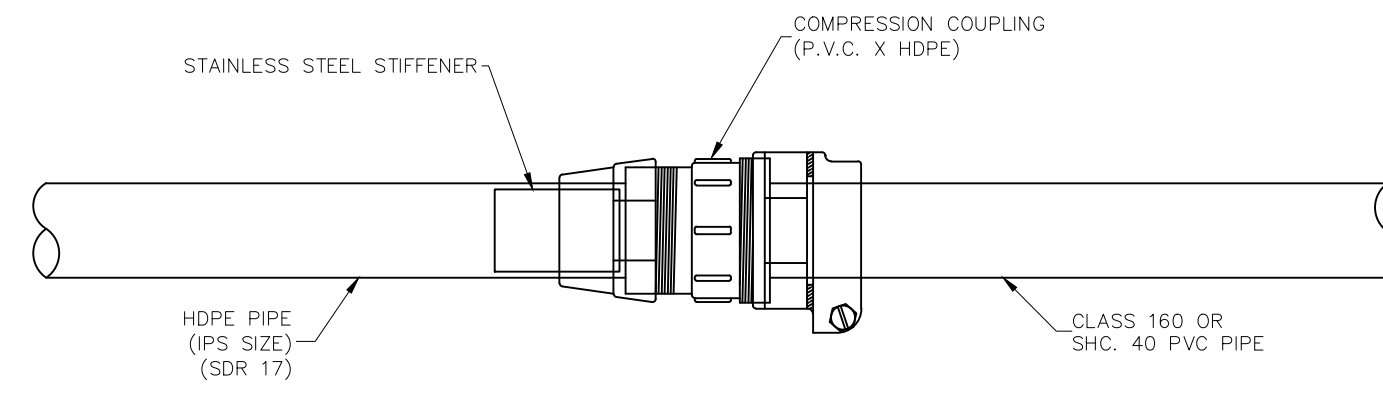
2 **THRUST BLOCK DETAIL**
N.T.S.



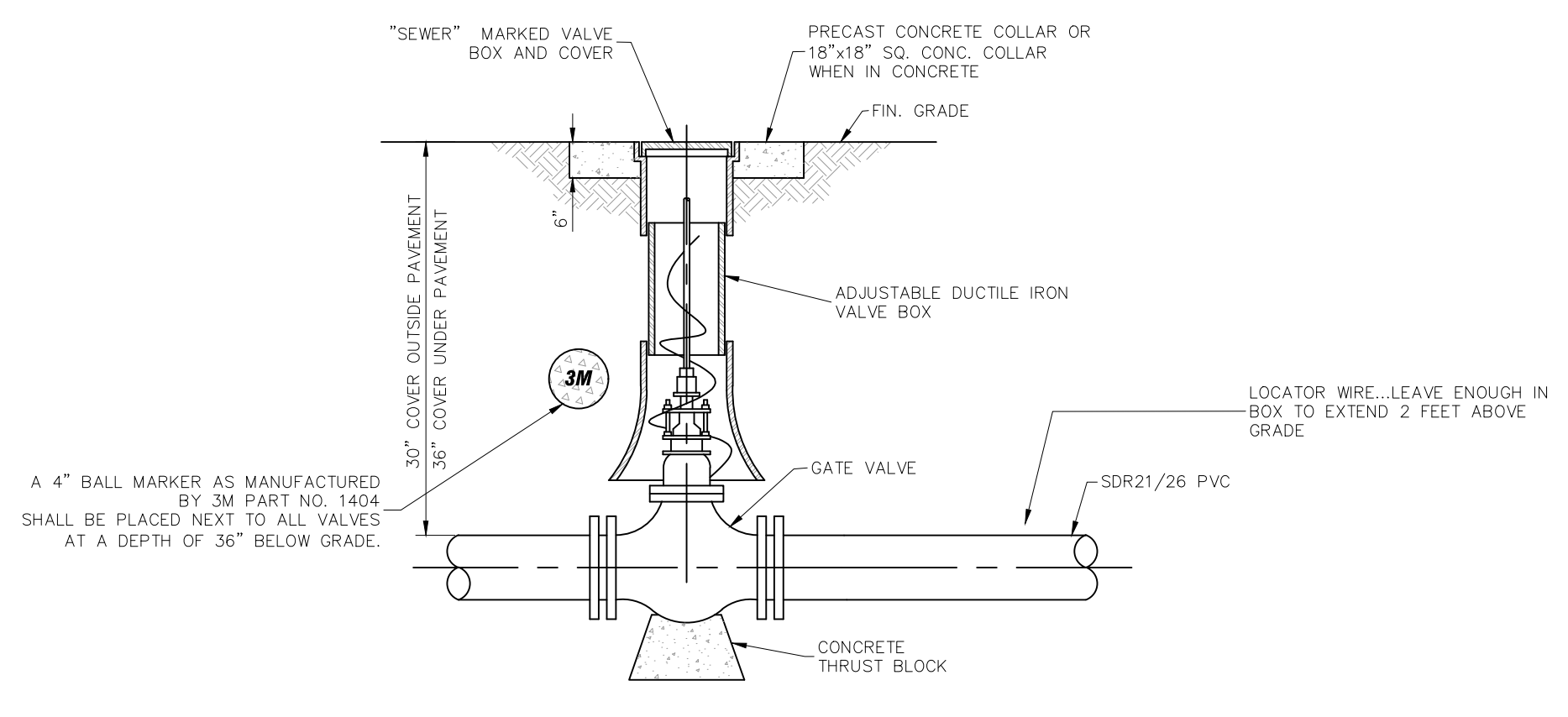
3 **TYPICAL BRASS BALL VALVE CONNECTION**
N.T.S.



4 **HDPE-TO-PVC CONNECTION**
(3" DIAMETER AND LARGER)
N.T.S.

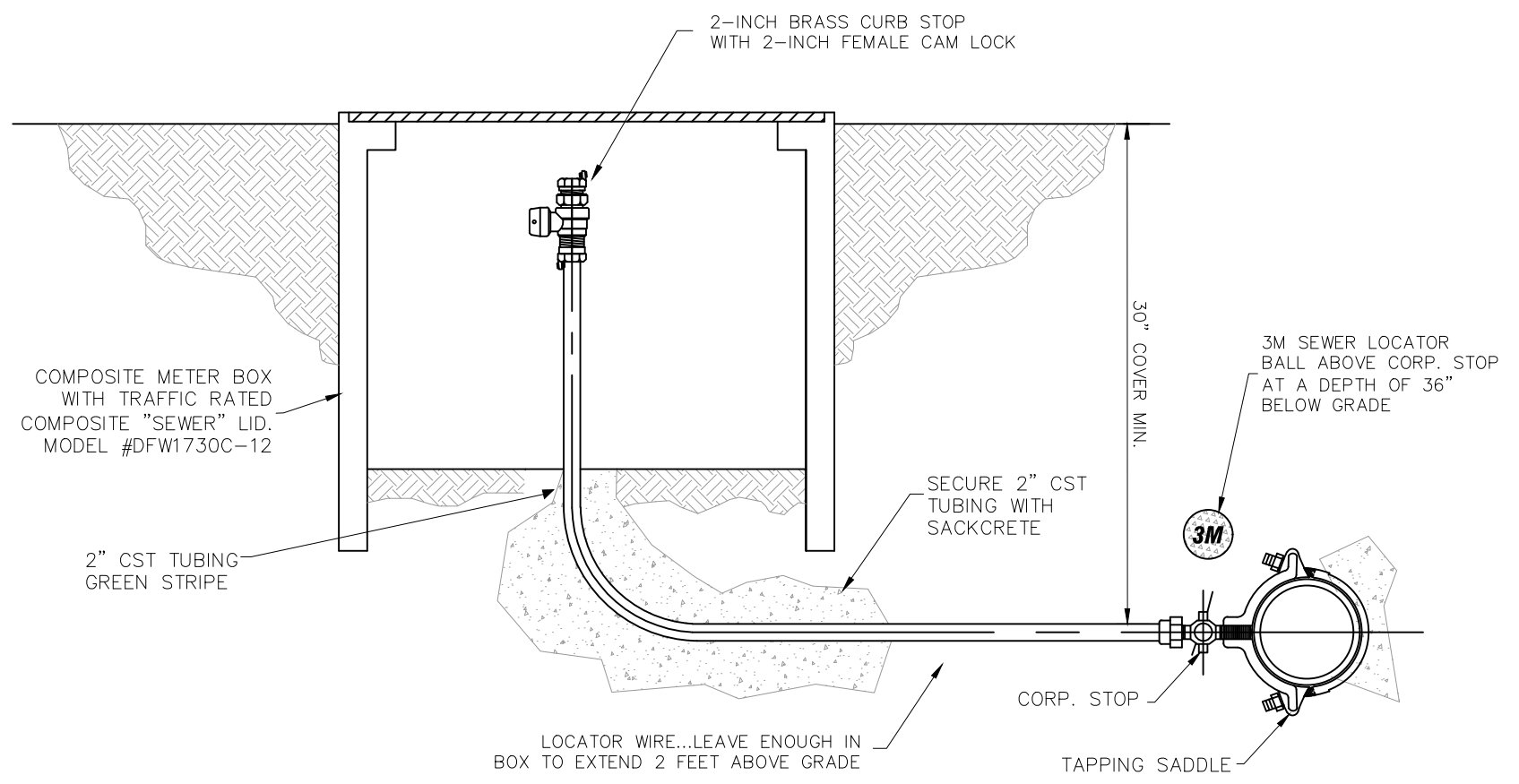


5 **HDPE TO PVC TRANSITION**
(UP TO 2" DIAMETER)
N.T.S.

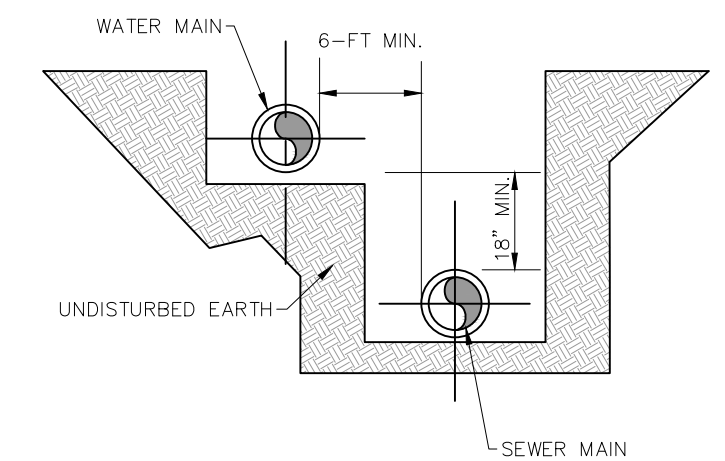


6 **TYPICAL INLINE VALVE**
N.T.S.

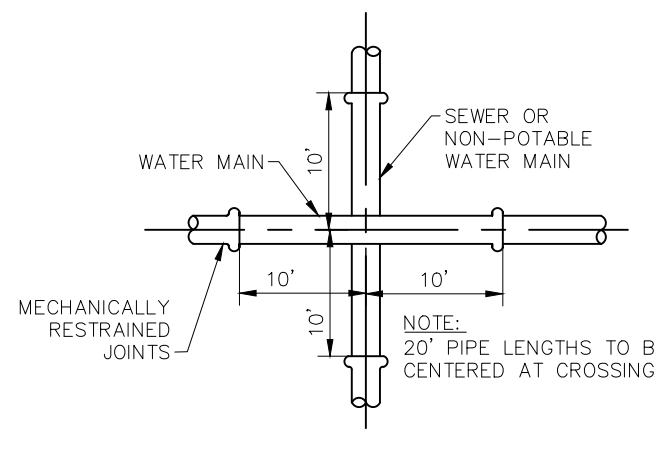
APPROVED FOR 2020



7 **TYPICAL CLEANOUT**
N.T.S.



- NOTES:**
- WHERE A 10 FOOT PARALLEL SEPARATION CANNOT BE MAINTAINED BETWEEN A WATER MAIN AND A SEWER MAIN OR NON-POTABLE WATER MAIN, THEN THE WATER MAIN SHALL BE LAID IN A SEPARATE TRENCH OR ON AN UNDISTURBED EARTH SHELF AT LEAST 18 INCHES ABOVE THE TOP OF THE SEWER MAIN OR NON-POTABLE WATER MAIN AND 6 FEET HORIZONTALLY FROM THE EDGE OF THE SEWER MAIN OR NON-POTABLE WATER MAIN.
 - ANYTHING LESS THAN SHOWN MUST BE APPROVED BY THE FLORIDA DEPARTMENT OF ENVIRONMENTAL PROTECTION.



- NOTES:**
- WHERE A 18 INCH VERTICAL SEPARATION DISTANCE CANNOT BE MAINTAINED BETWEEN A WATER MAIN AND A SEWER MAIN OR NON-POTABLE WATER MAIN, CROSSING THEN THE WATER MAIN SHALL PASS OVER THE SEWER MAIN OR NON-POTABLE WATER MAIN WITH A MINIMUM VERTICAL CLEARANCE OF 12 INCHES. THE SEWER OR NON-POTABLE WATER MAIN SHALL BE 20 FEET OF 6" CONCRETE ENCASUREMENT CENTERED ON THE POINT OF CROSSING AND THE WATER MAIN SHALL BE 20 FEET OF 8" CONCRETE ENCASUREMENT CENTERED ON THE POINT OF CROSSING. CONCRETE ENCASUREMENT SHALL BE POURED SEPARATELY FOR EACH PIPE.
 - ANYTHING LESS THAN SHOWN MUST BE APPROVED BY THE FLORIDA DEPARTMENT OF ENVIRONMENTAL PROTECTION.

8 **WATER/SEWER SEPARATION DETAIL**
MUST BE APPROVED BY FDEP

N.T.S.

NO.	DATE	APPR.	REVISION
1	3/02/10	NOC	UPDATE CONSTRUCTION DETAILS
2	2/11/13	NOC	ADDED NEW AIR RELEASE VALVE

REGIONAL UTILITIES
OPERATED BY FLORIDA COMMUNITY SERVICES CORPORATION OF WALTON COUNTY INC.

4432 HWY 98 EAST
SANTA ROSA BEACH, FL 32459

Phone: (850) 231-5114
Fax: (850) 231-4924

PROJECT NAME:
SHEET TITLE: **PRESSURE SEWER STANDARD DETAILS**

DRAWN BY: RT	CHECKED BY: RAD
PROJECT NO.: 000-000	
DRAWING SCALE: N.T.S.	
PLOT DATE:	
SHEET NO. 2 OF 2	
SHEET: PS-2	