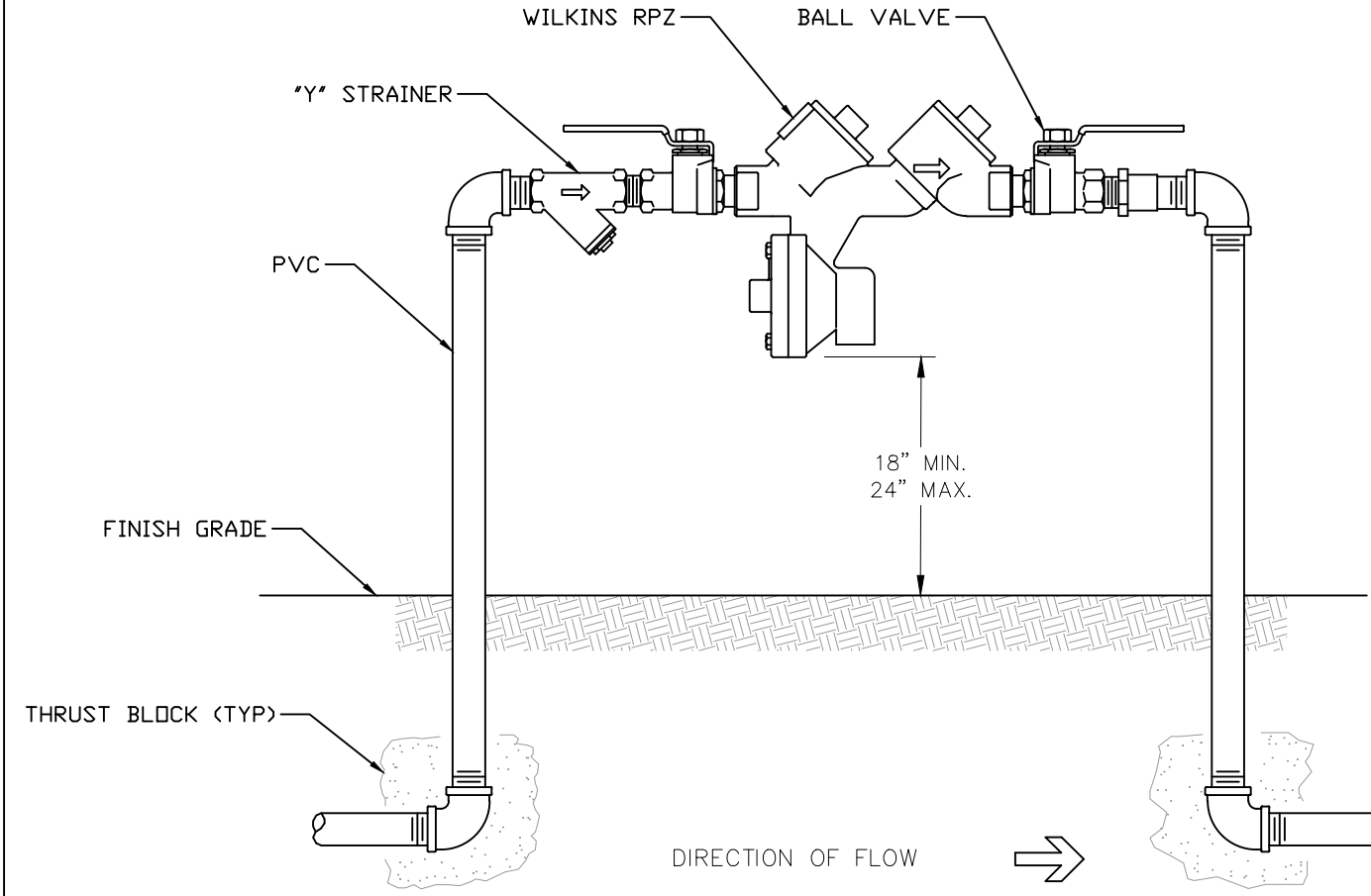


1 **BELOW GRADE FLUSH POINT**
N.T.S.

NOTES:

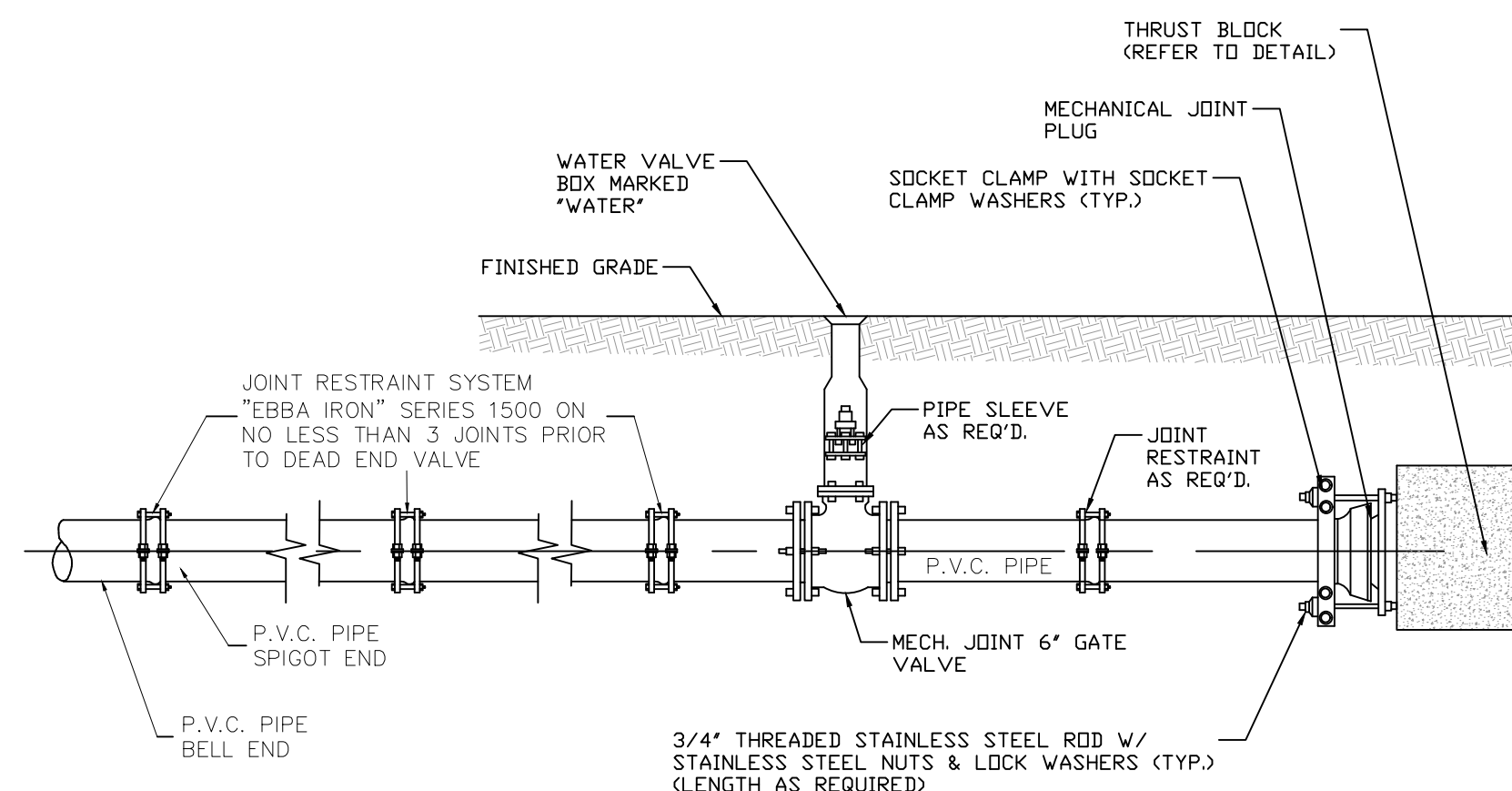
1. FLUSH POINTS SHALL BE INSTALLED BETWEEN BACK OF CURB AND FACE OF SIDEWALK WITHIN R/W EXCEPT WHERE CONDITIONS AND OR REGULATION PROHIBIT. FLUSH POINTS SHALL BE LOCATED WITHIN RIGHTS OF WAY OR UTILITY EASEMENTS.
2. METER BOX AND COVER SHALL BE TRAFFIC RATED. SEE DETAIL #7 ON SHEET W-2.



2 **REDUCED PRESSURE BACKFLOW ASSEMBLY 3/4"-2"**
N.T.S.

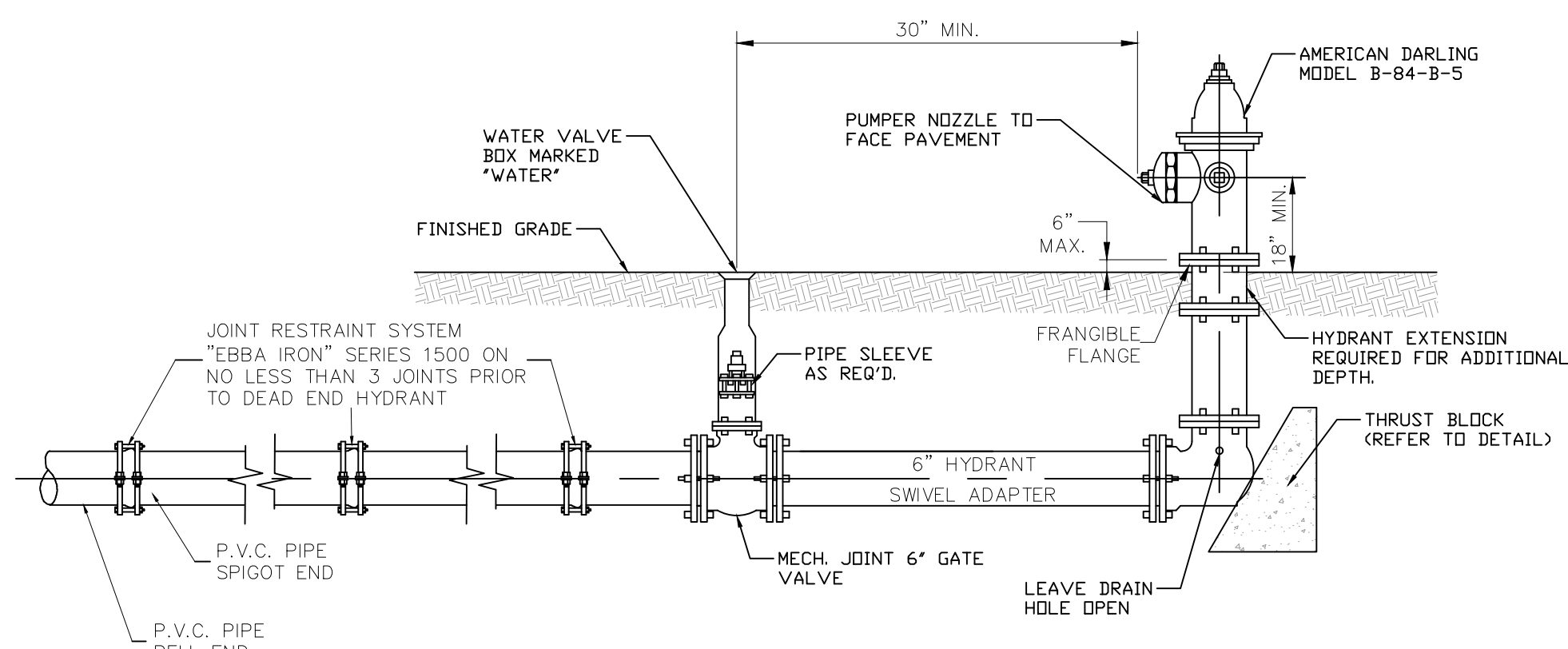
NOTES:

1. RPBA SHALL BE WILKINS UNLESS OTHERWISE APPROVED BY REGIONAL UTILITIES.
2. DEVICE TO BE INSULATED WITH APPROVED MATERIALS.



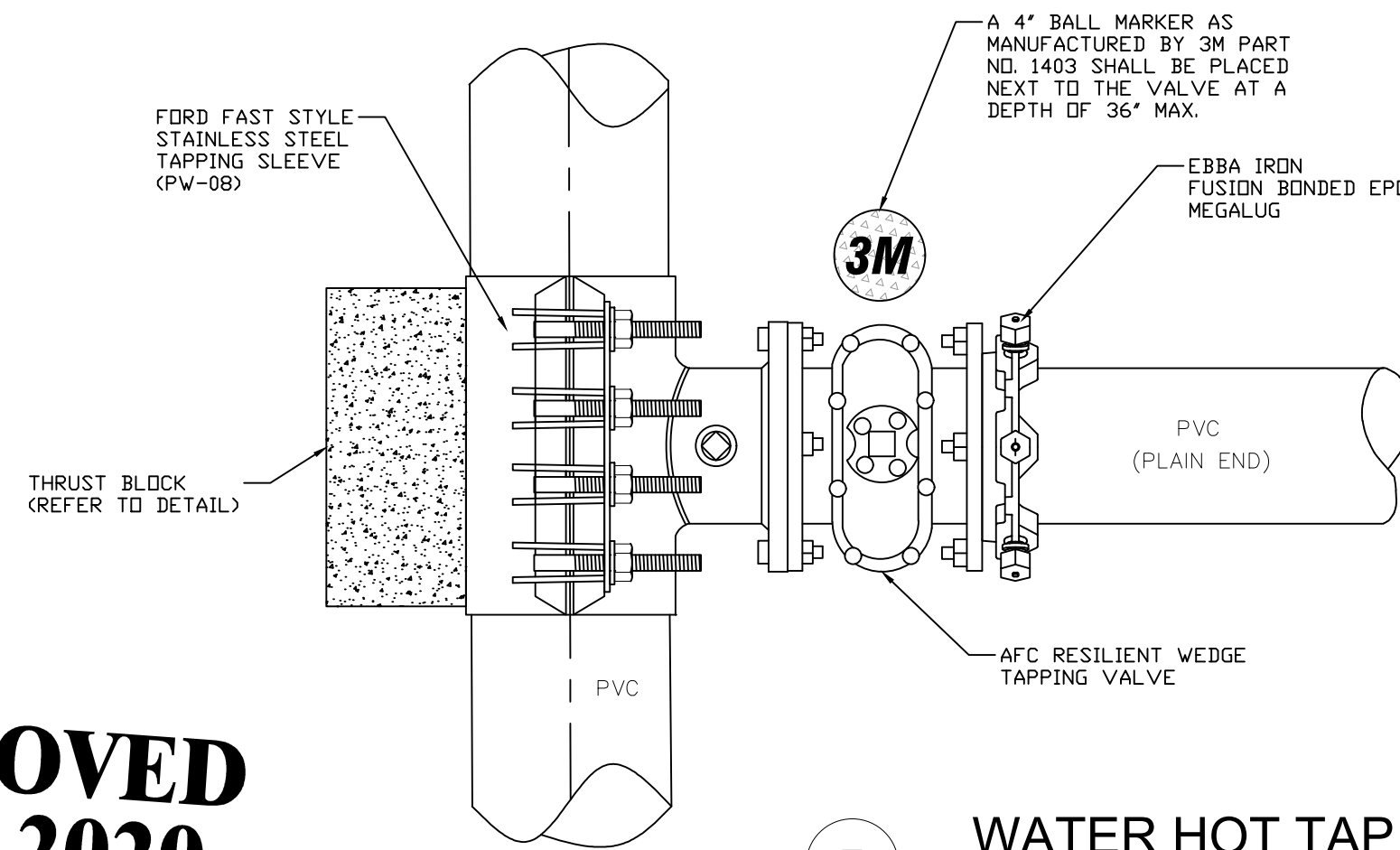
3 **DEAD END STUB OUT**
N.T.S.

NOTE:
ALL PIPE & FITTINGS SHOWN VARY IN SIZE.



4 **DEAD END FIRE HYDRANT INSTALLATION**
N.T.S.

NOTE:
ALL PIPE & FITTINGS SHOWN VARY IN SIZE.

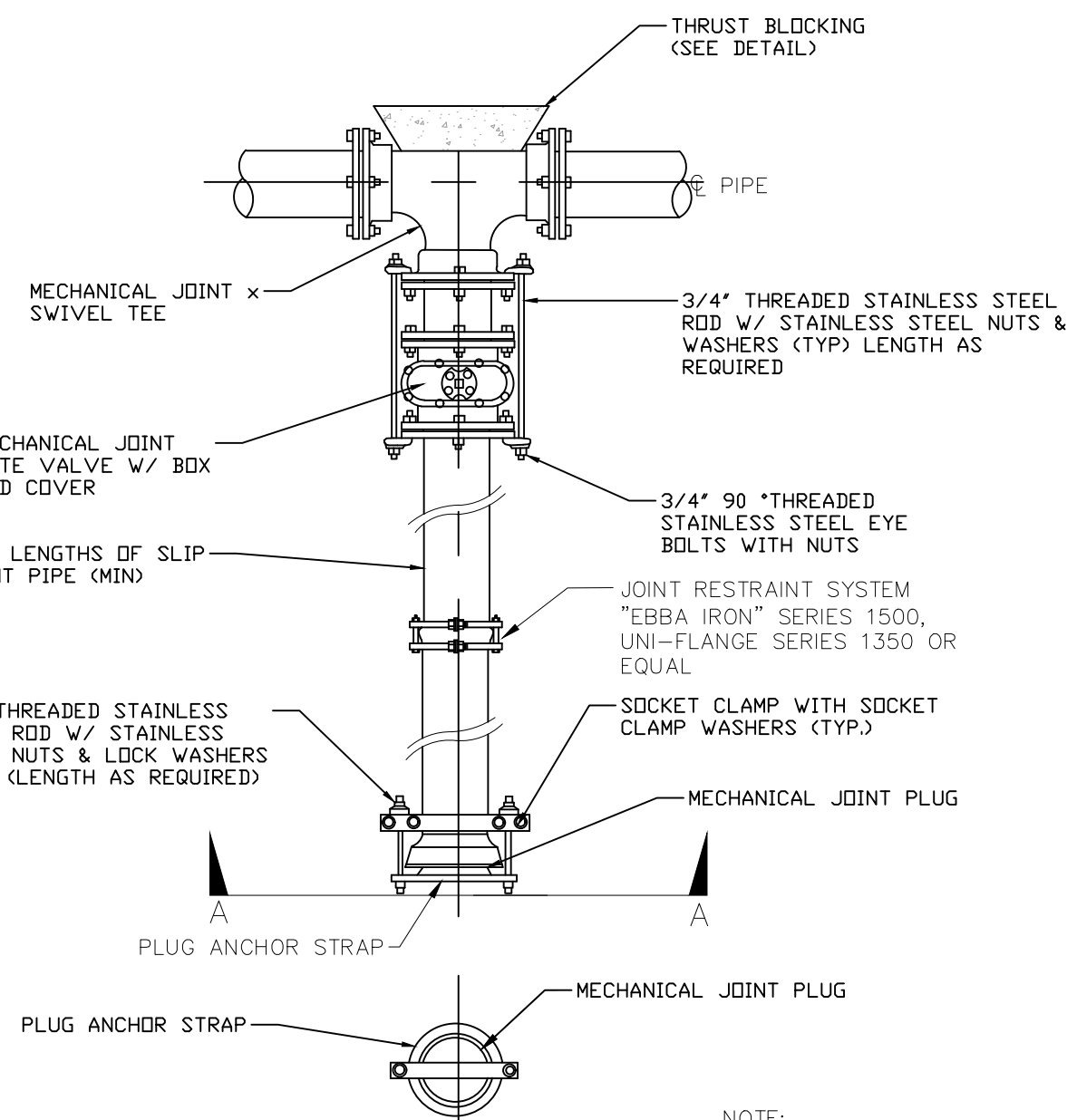


5 **WATER HOT TAP 3\"/>**

NOTES:

1. THE EDGE OF THE TAPPING SLEEVE SHALL BE AT LEAST 24\"/>
2. TAPPING SLEEVE SHALL BE PRESSURE TESTED AT 150 PSI FOR A MINIMUM OF 15 MINUTES. TEST SHALL BE WITNESSED BY REGIONAL UTILITIES.

APPROVED FOR 2020

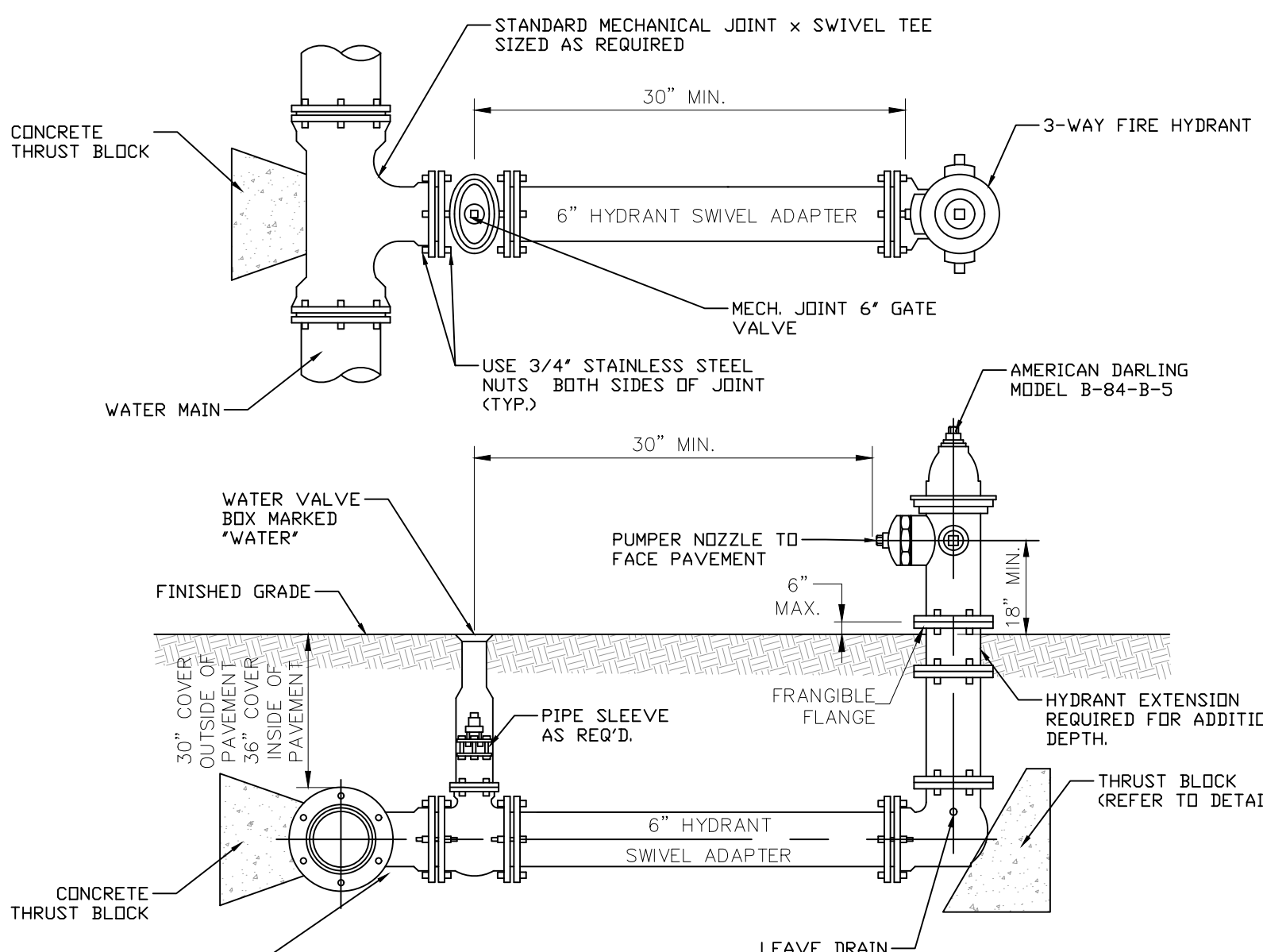


6 **DEAD END STUB DETAIL**
N.T.S.

NOTES:

1. IN A STRAIGHT RUN DEAD END INSTALLATION THE VALVE SHALL BE TIED TO THE NEXT UPSTREAM PIPE JOINT WITH SOCKET CLAMP AND TIE RODS.
2. ALL MECHANICAL JOINTS TO USE RESTRAINT TYPE RETAINER GLANDS.
3. JOINT RESTRAINTS REQUIRED ON 3 JOINTS PRIOR TO PLUG.

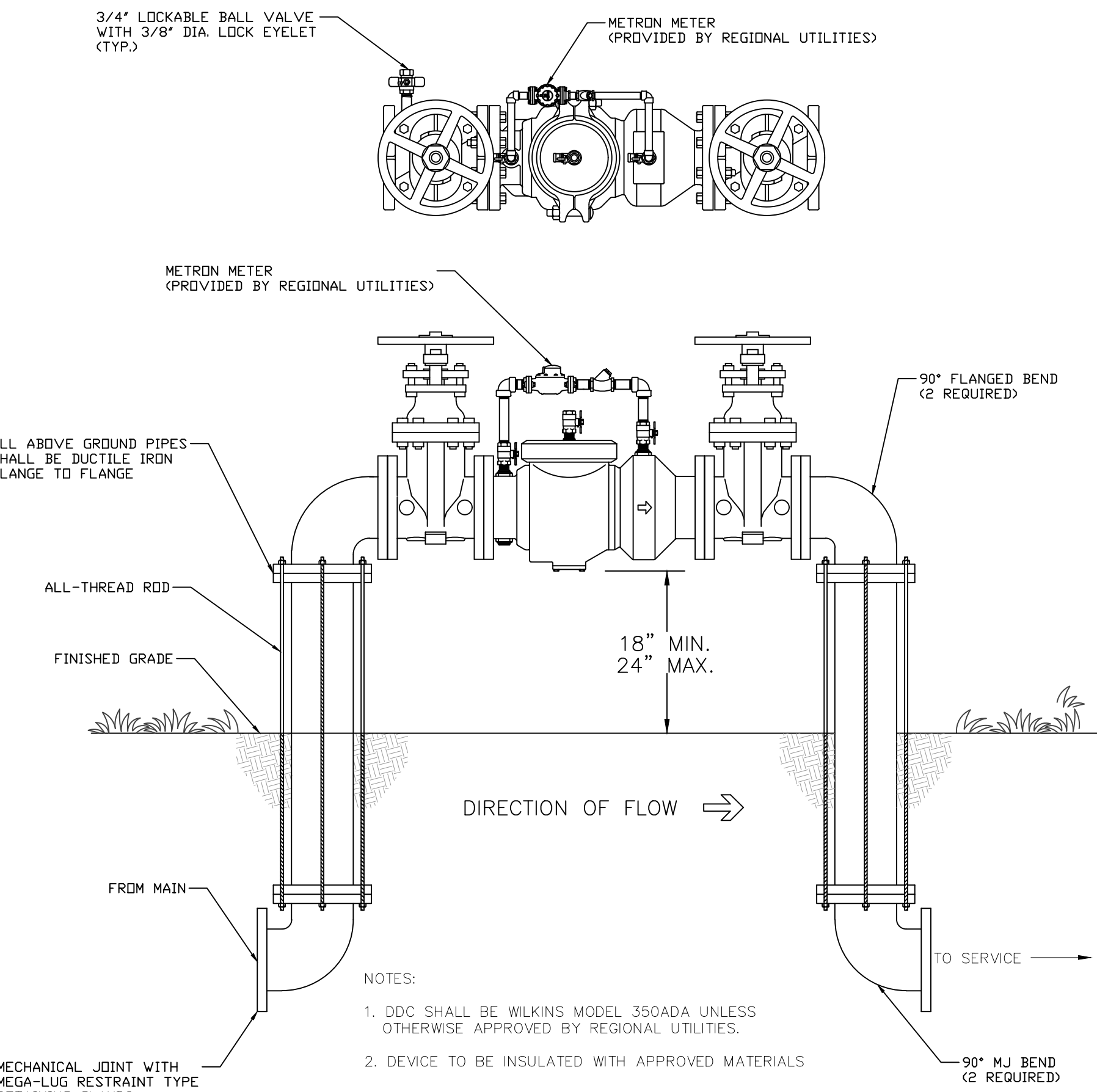
NOTE:
ALL PIPE & FITTINGS SHOWN VARY IN SIZE.



7 **TYPICAL FIRE HYDRANT INSTALLATION**
N.T.S.

NOTES:

1. FIRE HYDRANTS SHALL BE INSTALLED BETWEEN BACK OF CURB AND FACE OF SIDEWALK WITHIN R/W EXCEPT WHERE CONDITIONS AND OR REGULATION PROHIBIT. FIRE HYDRANTS SHALL BE LOCATED WITHIN RIGHTS OF WAY OR UTILITY EASEMENTS.
2. ALL RODS AND ASSOCIATED HARDWARE SHALL BE STAINLESS STEEL.
3. ALL MECHANICAL JOINTS SHALL USE MEGA-LUG RESTRAINT TYPE RETAINING GLANDS.
4. VALVE BOXES SHALL BE HEIGHT ADJUSTABLE.
5. AMERICAN DARLING MODEL B-84-B-5 HYDRANT
6. IF A HYDRANT IS TO BE INSTALLED MORE THAN 10- FEET FROM THE WATER MAIN, A SECOND VALVE SHALL BE USED. REFER TO SECTION 6.3.14.11 OF THE DESIGN AND CONSTRUCTION SPECIFICATIONS.



8 **FIRE LINE BACK FLOW PREVENTOR**
N.T.S.

- NOTES:**
1. DDC SHALL BE WILKINS MODEL 350ADA UNLESS OTHERWISE APPROVED BY REGIONAL UTILITIES.
 2. DEVICE TO BE INSULATED WITH APPROVED MATERIALS

GENERAL NOTES - POTABLE WATER CONSTRUCTION

1. CONTRACTOR SHALL COORDINATE INSTALLATION OF POTABLE WATER MAINS WITH ALL OTHER UTILITIES PRIOR TO COMMENCING CONSTRUCTION.
2. HYDROSTATIC TESTS, LEAKAGE TESTS, DISINFECTION, AND BACTERIOLOGICAL TESTS SHALL BE PERFORMED IN ACCORDANCE WITH THE WRITTEN CONSTRUCTION SPECIFICATION OF REGIONAL UTILITIES AND ALL APPLICABLE F.D.E.P. AND AWWA REQUIREMENTS.
3. NO POTABLE WATER MAIN CONSTRUCTION SHALL COMMENCE UNTIL SHOP DRAWINGS HAVE BEEN APPROVED AND A PRE-CONSTRUCTION CONFERENCE HELD WITH REGIONAL UTILITIES STAFF.
4. PROVIDE LOCKS, IN ACCORDANCE WITH THE WRITTEN CONSTRUCTION SPECIFICATIONS OF REGIONAL UTILITIES, ON ALL CURB STOPS.
5. CONTRACTOR SHALL NOTIFY REGIONAL UTILITIES 48 HOURS PRIOR TO COMMENCEMENT OF CONSTRUCTION. UTILITY REPRESENTATIVES WILL PERFORM ALL TAPS OF EXISTING LINES AND MUST WITNESS ALL TIES OF AND TESTS OF NEW LINES.
6. IT IS REQUIRED THAT ALL NEW AND RELOCATED WATER SERVICES AND PLUMBING SHALL BE IN CONFORMANCE WITH STATE AND FEDERAL REGULATIONS PERTAINING TO THE CONTROL OF LEAD AND COPPER.
7. CONTRACTOR SHALL PROVIDE A COMPOSITE METER BOX WITH A COMPOSITE LID AT THE CURB STOP OF ALL WATER SERVICES AS SHOWN IN THE TYPICAL WATER METER INSTALLATION DETAIL. MATERIALS SHALL BE IN ACCORDANCE WITH THE WRITTEN SPECIFICATIONS OF REGIONAL UTILITIES. METER IS TO BE SET BY REGIONAL UTILITIES.
8. CONTRACTOR SHALL PROVIDE AS-BUILT DRAWINGS IN ACCORDANCE WITH REGIONAL UTILITIES SPECIFICATIONS.
9. THE LOCATION OF ALL WATER SERVICE STUBS ARE TO BE MARKED BY THE LETTER "W" SCRIBED A MINIMUM OF 2" HIGH AND 1/4 DEEP IN TOP OF CURB. IF NO CURBING IS INSTALLED A 3" SQUARE STEEL TAG INSCRIBED WITH A 2" LETTER "W" IS TO BE ATTACHED TO THE STREET PAVEMENT.
10. A 4" WATER BALL MARKER, AS MANUFACTURED BY 3M PART NO. 1403, SHALL BE PLACED AT ALL INLINE VALVES ALONG WATER MAIN, AT ALL CORP STOP LOCATIONS, AND IN ALL METER BOXES. MAXIMUM DEPTH OF MARKER BALL IS 36".
11. ALL MECHANICAL JOINTS SHALL USE MEGA-LUG RESTRAINT TYPE RETAINING GLANDS.
12. MINIMUM SEPARATION BETWEEN WATER OR SEWER AND ELECTRICAL CONDUITS OR ELECTRICAL LINES SHALL BE 72" MINIMUM HORIZONTAL & 18" VERTICAL WITH ELECTRICAL BEING BELOW THE WATER AND SEWER LINES. IN CASES WHERE 18" VERTICAL SEPARATION CAN NOT BE MET, 96" OF HORIZONTAL SEPARATION SHALL BE REQUIRED.
13. ALL MECHANICAL JOINT FITTINGS ON PRESSURE PIPE SHALL HAVE BOTH "MEGALUG" TYPE JOINT RESTRAINING GLANDS AND THRUST BLOCKS.
14. THE CONTRACTOR IS RESPONSIBLE FOR OBTAINING AND MEETING THE REQUIREMENTS OF REGIONAL UTILITIES STANDARD DETAILS AND SPECIFICATIONS LATEST EDITION.
15. ANY LOCATION WHERE PRESSURE PIPE LINES CURVATURE EXCEEDS MANUFACTURERS' SPECIFICATIONS; APPROPRIATE MECHANICAL JOINT FITTINGS SHALL BE USED.
16. ALL 2-INCH VALVES SHALL BE BALL TYPE. 2-INCH GATE VALVES SHALL NOT BE USED.
17. ALL TIE IN TO EXISTING PRESSURIZED PIPELINES SHALL BE BY TAPPING SLEEVE (3 INCH TAP AND LARGER) (OR TAPPING SADDLE, 2 INCH TAP AND SMALLER) AND VALVE.
18. DEVELOPERS OF PRIVATE PROJECTS SHALL PROVIDE ALL WETLANDS PERMITS NECESSARY FOR UTILITY CONSTRUCTION.
19. ALL CONSTRUCTION MUST BE IN ACCORDANCE WITH THE LATEST EDITION OF REGIONAL UTILITIES' STANDARD SPECIFICATIONS.
20. JOINT RESTRAINTS SHALL BE REQUIRED ON ALL WATER MAINS LOCATED IN PAVED AREAS AND WETLANDS.
21. ALL WATER TAPS SHALL BE LOCATED OUT FROM UNDER PROPOSED FUTURE PAVEMENT.

BACKFLOW PREVENTORS

1. ALL WATER SERVICE LINES SHALL BE REQUIRED TO HAVE A BACKFLOW DEVICE PURSUANT TO REGIONAL UTILITIES SPECIFICATIONS.
2. ALL FIRE LINES SHALL HAVE A DOUBLE DETECTOR CHECK VALVE ASSEMBLY WITH A 3/4" BYPASS METER. THE METER SHALL BE PURCHASED FROM REGIONAL UTILITIES.
3. REDUCED PRESSURE BACKFLOW ASSEMBLIES (RPBA) ARE REQUIRED FOR ALL HIGH HAZARD WATER USES AND FOR HOUSEHOLDS WITH RECLAIM WATER IRRIGATION SERVICES.
4. ALL BACKFLOW PREVENTORS SHALL BE OF THE TYPE REQUIRED BY F.D.E.P., AWWA AND NFPA CODES AND MUST BE PER REGIONAL UTILITIES BACKFLOW PREVENTION MANUAL.
5. ALL SWIMMING POOLS SHALL HAVE RPZ BACKFLOW PREVENTORS.

NO.	DATE	APPR.	NO.	DESCRIPTION
1	3/02/10	NOC	1	UPDATE CONSTRUCTION DETAILS
2	5/04/11	NOC	2	ADD FINLINE FLOW METER REQUIREMENT
3	3/5/14	RAD	3	CHANGED SAMPLE STATION & ARV REQUIREMENTS
4	1/23/15	RAD	4	CHANGED BELOW GRADE FLUSH POINT DETAIL
5	1/01/18	RAD	5	ADDED GENERAL NOTE #22 - JOINT RESTRAINTS ADDED FLUSH HYDRANT DETAIL

REGIONAL UTILITIES
OPERATED BY FLORIDA COMMUNITY SERVICES
CORPORATION OF WALTON COUNTY INC.

4432 HWY 98 E Santa Rosa Beach, FL 32459
Phone: (850) 231-5114
Fax: (850) 231-9686

POTABLE WATER STANDARD DETAILS

PROJECT NAME:	SEAL:
SHEET TITLE:	DRAWN BY: RT
	CHECKED BY: RAD
	PROJECT NO.: 000-000
	WORK ORDER: 00.0000
	DRAWING SCALE: 1"=XX'
	PLOT DATE:
	SHEET NO. X OF XX
	SHEET