

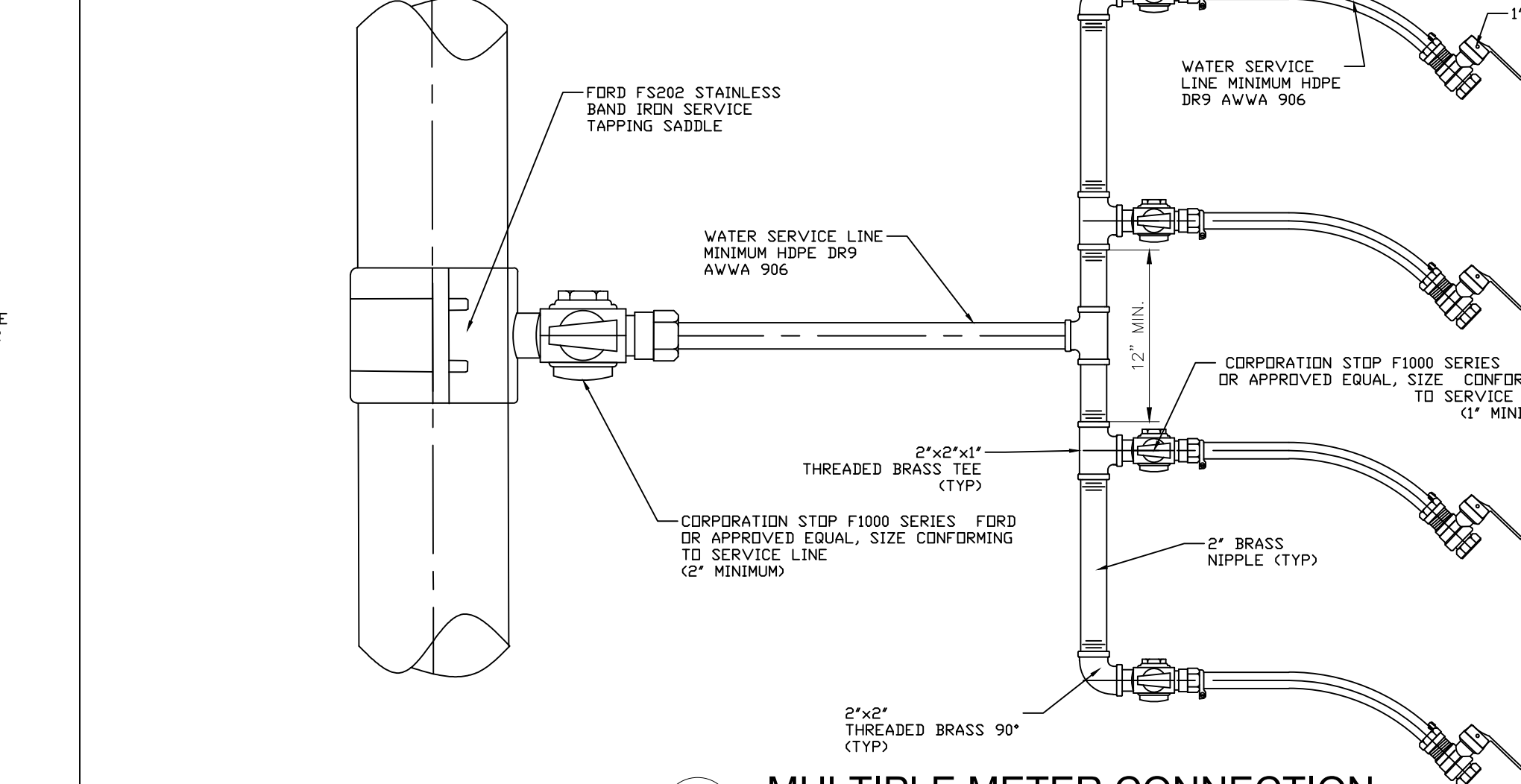
**3M** A 4" BALL MARKER AS MANUFACTURED BY 3M PART NO.1403 SHALL BE PLACED NEXT TO CORPORATION STOP AND IN THE METER BOX AT A DEPTH OF 36" MAX.

- NOTES:
- 5/8", 3/4", & 1" METERS SHALL BE INSTALLED IN DFW PLASTICS DFW36C-12 COMPOSITE METER BOX WITH DFW36-1A LID.
  - 1-1/2" & 2" METERS SHALL BE INSTALLED IN DFW PLASTICS DFW1730C-12 COMPOSITE METER BOX WITH DFW1730C-1A LID.
  - CONTRACTOR WILL BE RESPONSIBLE FOR PROVIDING AND INSTALLING ONE METER BOX PER LOT AND THE WATER SERVICE WITH CURB STOP AND LOOKSEAL LOCK SHALL BE STUBBED IN BOX.
  - CONTRACTOR SHALL COORDINATE INSTALLATION OF POTABLE WATER SERVICES WITH ALL OTHER UTILITIES PRIOR TO COMMENCING CONSTRUCTION.
  - NO METERS WILL BE SET UNTIL REGIONAL UTILITIES HAS RECEIVED CLEARANCE TO PLACE THE SYSTEM INTO SERVICE FROM F.D.E.P.

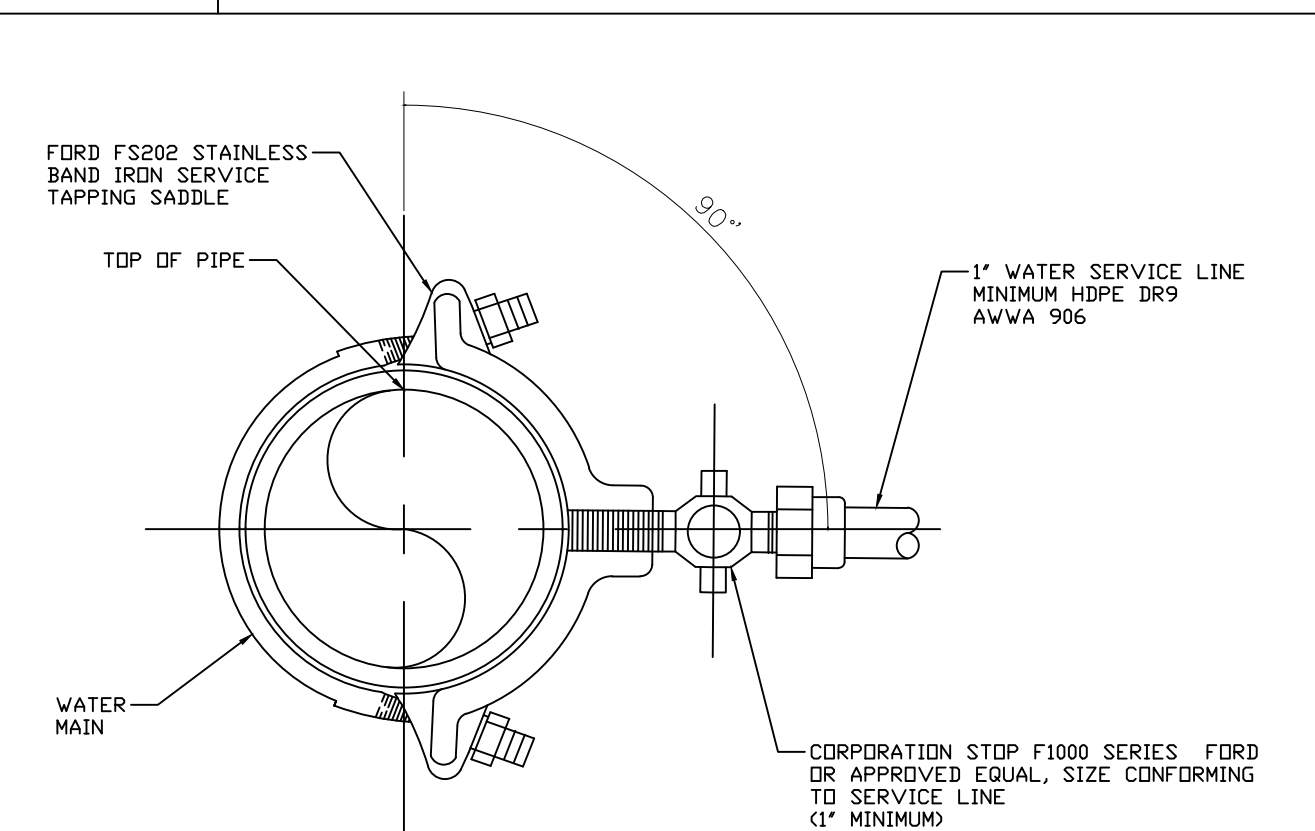
IN ORDER TO RECEIVE CLEARANCE FROM F.D.E.P. THE FOLLOWING PROCEDURE MUST BE COMPLETED:

CONTRACTOR MUST PERFORM PRESSURE TEST, FLUSH AND ARRANGE FOR A FINAL INSPECTION. PRESSURE TEST AND FLUSH MUST BE WITNESSED BY A REGIONAL UTILITIES INSPECTOR. UPON PASSING THE PRESSURE TEST AND FINAL INSPECTION, REGIONAL UTILITIES WILL TAKE BACTERIOLOGICAL TEST. THE ENGINEER FOR THE PROJECT MUST SUBMIT THE BACTERIOLOGICAL TEST RESULTS, AS-BUILT DRAWINGS AND CERTIFICATION OF COMPLETION FORMS TO REGIONAL UTILITIES. REGIONAL UTILITIES WILL THEN SIGN THE COMPLETION FORMS AND FORWARD THEM TO F.D.E.P. WITH COPIES OF THE BACTERIOLOGICAL TEST RESULTS. UPON THEIR REVIEW AND APPROVAL, F.D.E.P. WILL SEND REGIONAL UTILITIES A LETTER GRANTING PERMISSION FOR THE SYSTEM TO BE PLACED INTO OPERATION.

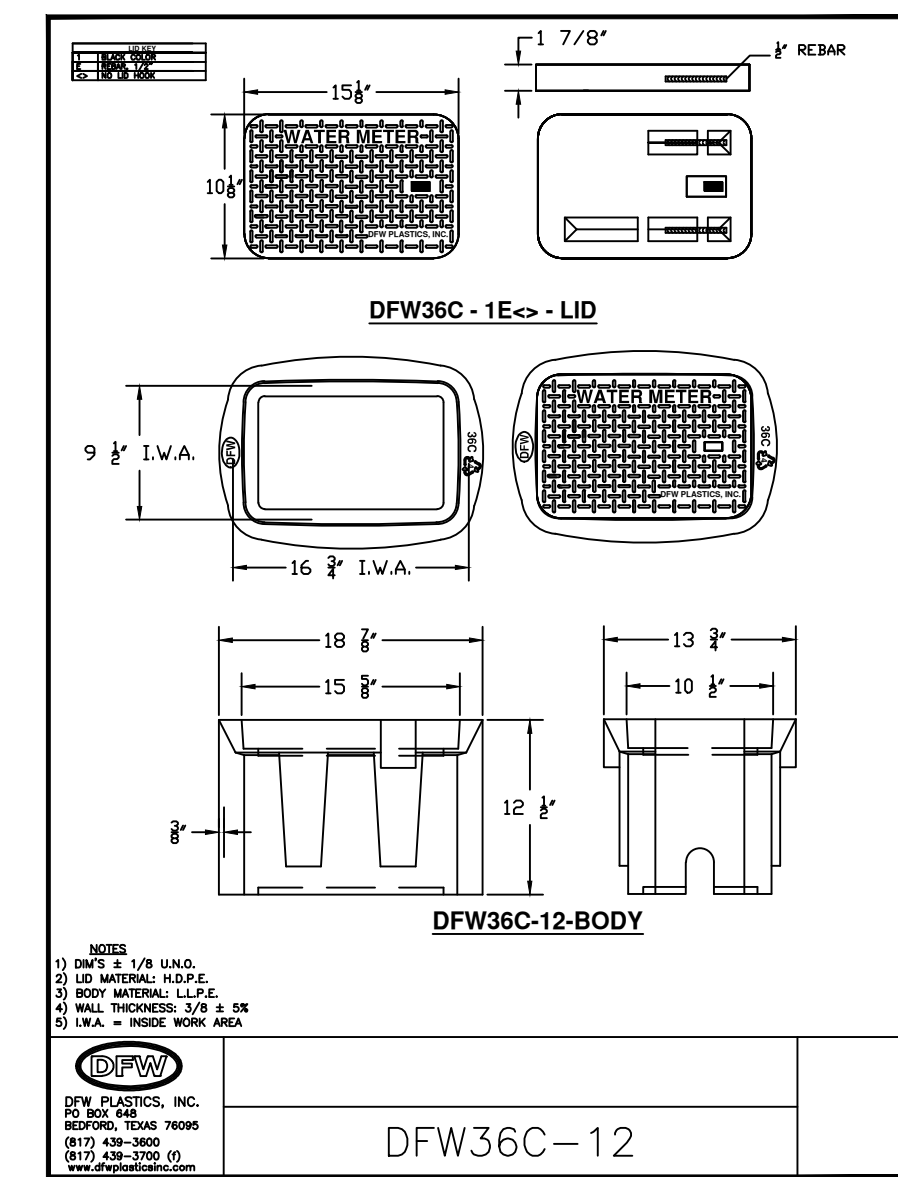
1 TYPICAL WATER METER INSTALLATION  
N.T.S.



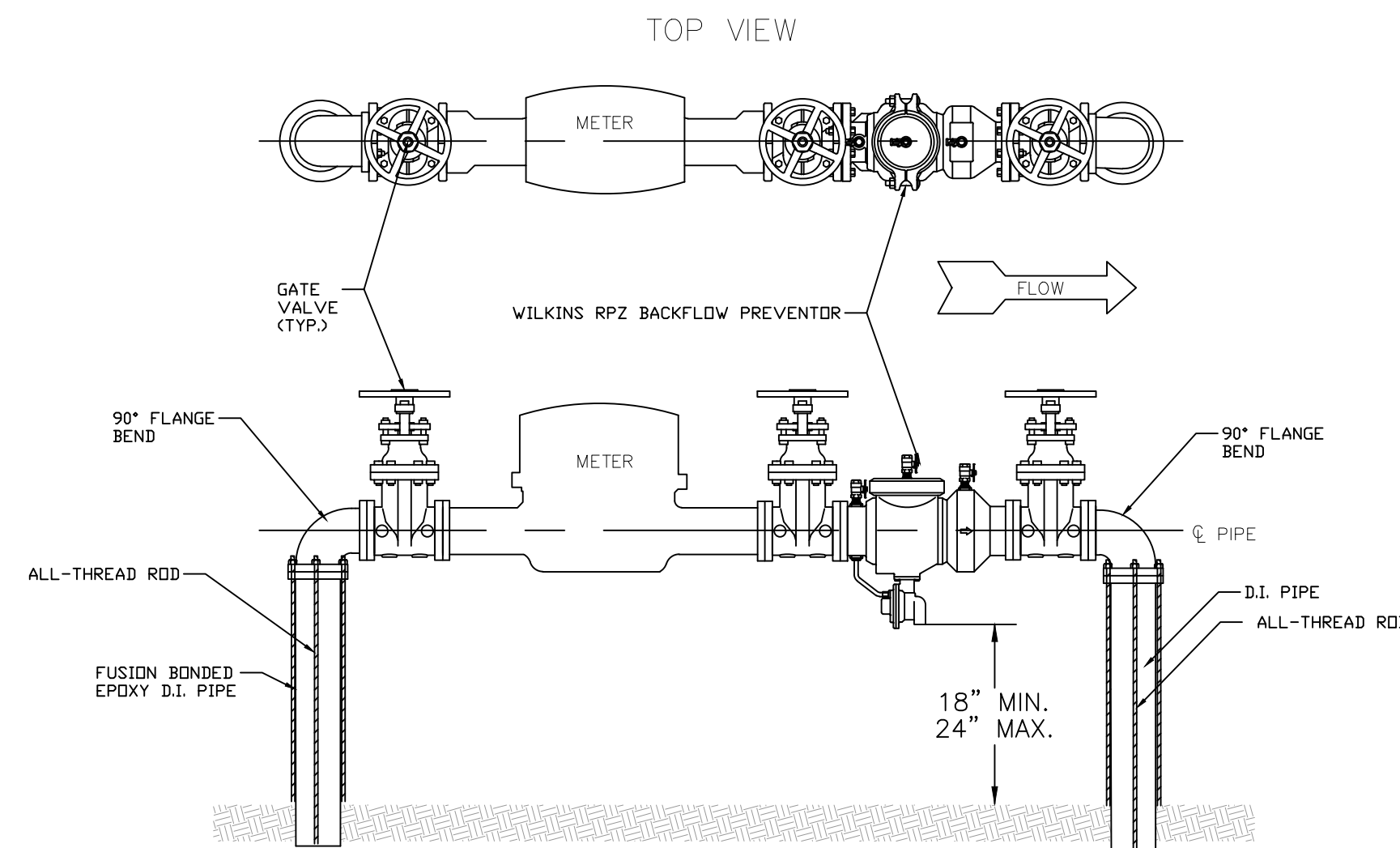
3 MULTIPLE METER CONNECTION  
N.T.S.



2 TYPICAL WATER SERVICE CONNECTION  
N.T.S.

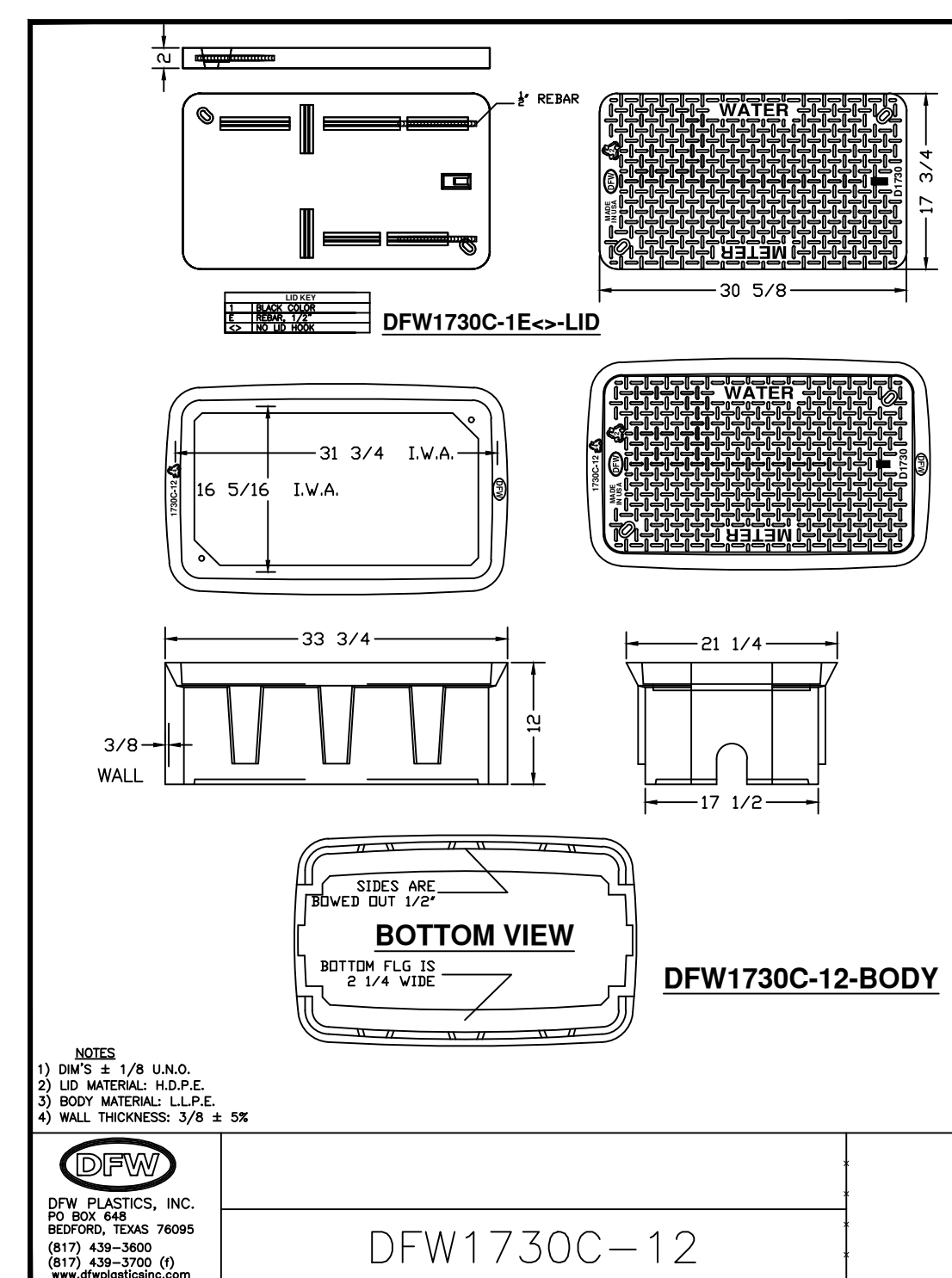


4 COMPOSITE METER BOX WITH TRAFFIC RATED COMPOSITE LID 3/4" - 1" METERS DFW PLASTICS, INC.  
N.T.S.

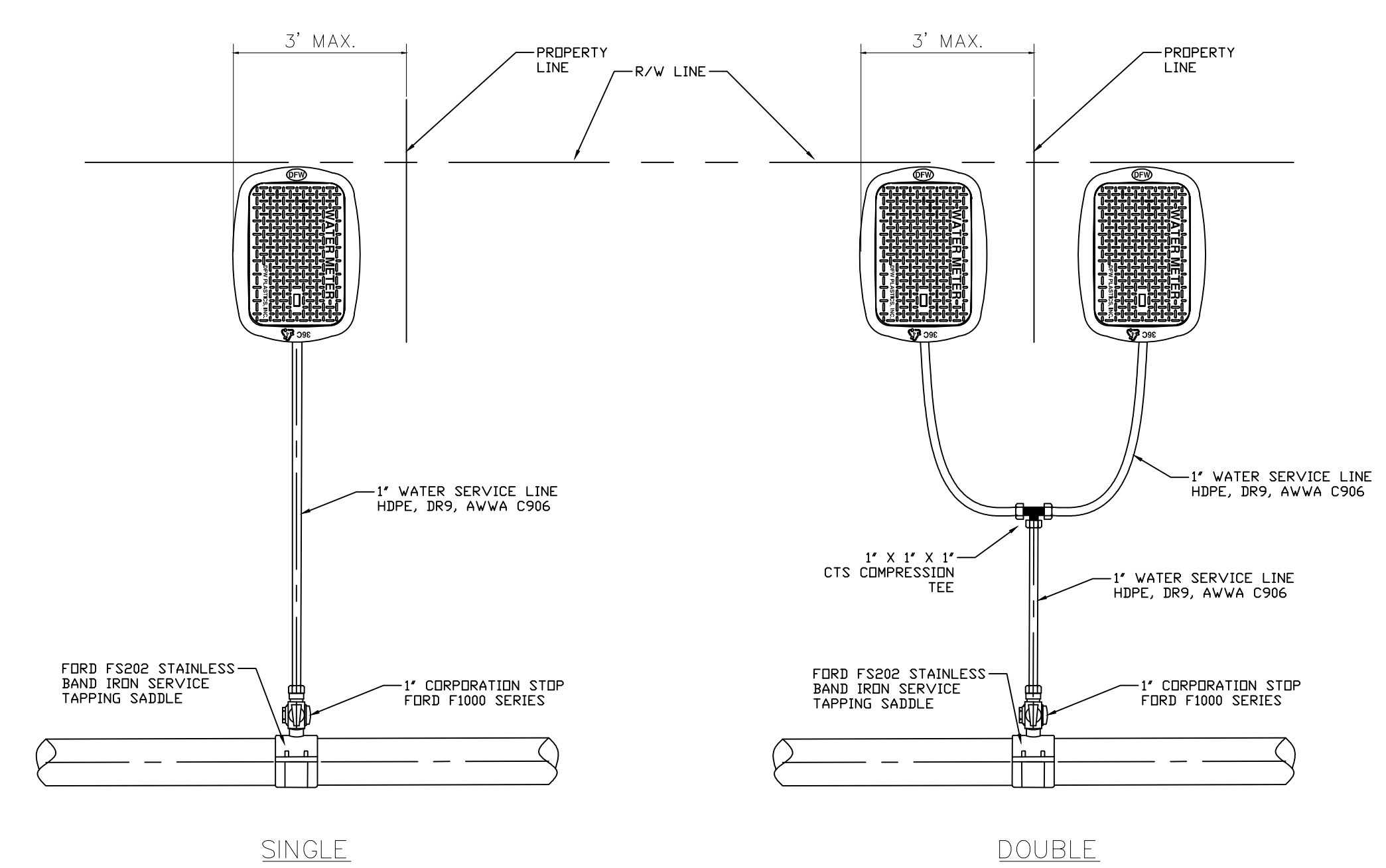


- NOTES:
- DUCTILE IRON PIPE SHALL BE COMPATIBLE WITH METER SIZE.
  - DUCTILE IRON PIPE SHALL CONFORM TO REGIONAL UTILITIES STANDARDS AND SPECIFICATION.
  - ENTIRE ASSEMBLY MUST BE INSULATED.
  - THE BACKFLOW PREVENTOR SHALL BE LOCATED DOWN STREAM FROM THE METER.
  - ALL ABOVE GROUND PIPE AND FITTINGS SHALL BE FLANGED.

6 3" OR LARGER ABOVE GROUND METER & RPZ BACKFLOW INSTALLATION  
N.T.S.

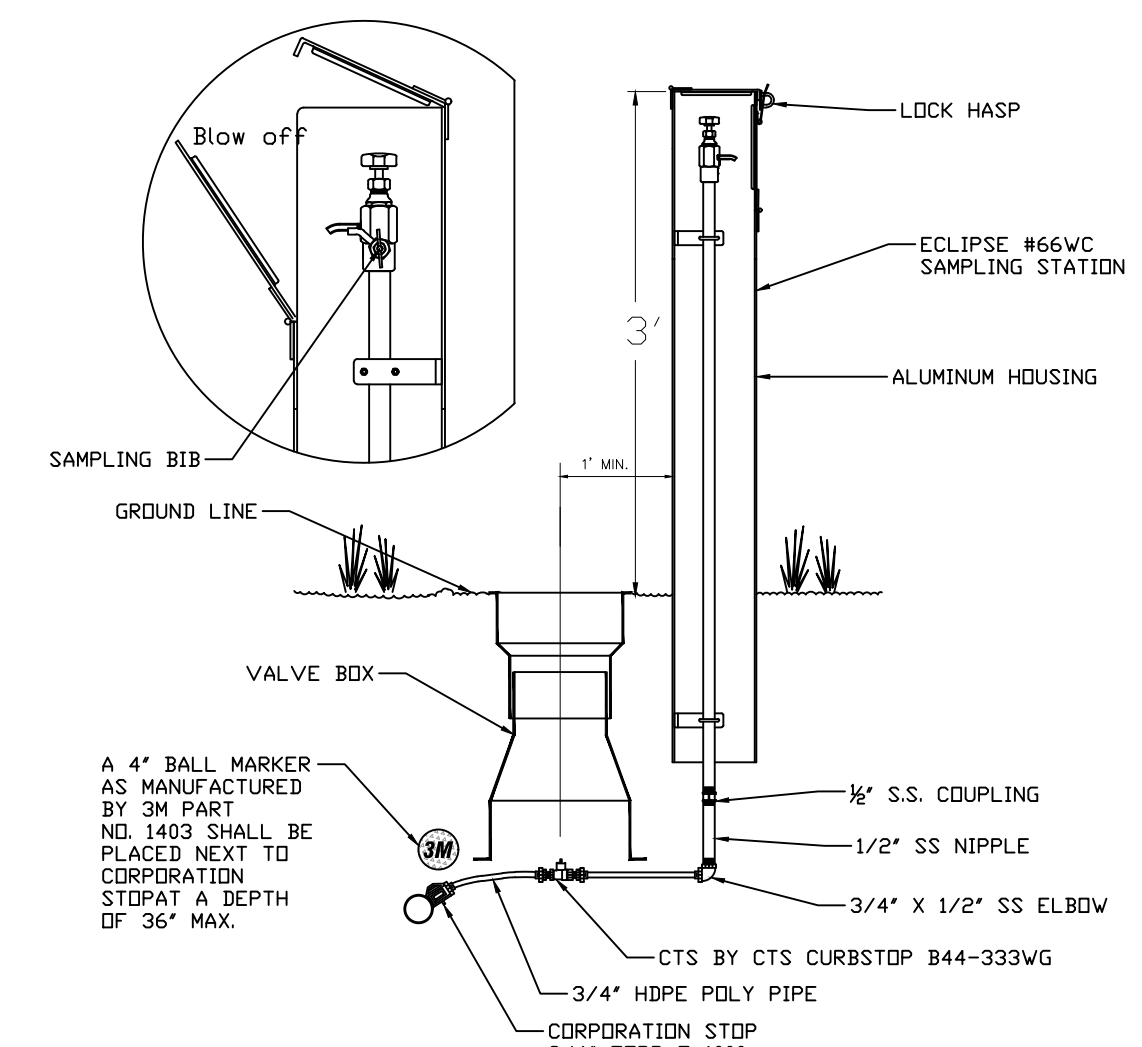


4 COMPOSITE METER BOX WITH TRAFFIC RATED COMPOSITE LID 1-1/2" - 2" METERS DFW PLASTICS, INC.  
N.T.S.



5 TYPICAL WATER SERVICE INSTALLATIONS  
N.T.S.

**APPROVED FOR 2020**



- NOTES:
- SAMPLING STATIONS SHALL BE 1' BURY, WITH A 1/2" MIP INLET, AND A 3/8" UNTHREADED BLOW OFF.
  - ALL STATIONS SHALL BE ENCLOSED IN A LOCKABLE, NON-REMOVABLE 6" SQUARE ALUMINUM HOUSING. ALL OPENINGS SHALL BE HINGED.
  - WHEN OPEN, THE STATION SHALL REQUIRE NO KEY FOR OPERATION, AND WATER WILL FLOW IN AN ALL STAINLESS STEEL WATERWAY.
  - ALL WORKING PARTS SHALL BE OF STAINLESS STEEL AND SERVICEABLE FROM ABOVE GROUND WITH NO DIGGING OR REPLACEMENT NEEDED.
  - A SLOW TURNING VALVE WITH 6 TURNS TO OPEN WILL CONTROL THE WATER FLOW, AND BE LOCATED AFTER THE SAMPLING BIB.
  - AS MANUFACTURED BY KUPFERLE FOUNDRY, ST. LOUIS MO. 63102. MODEL # 66WC, OR APPROVED EQUAL.

8 TYPICAL WATER SAMPLING STATION  
N.T.S.

NO.	DATE	APPR.	REVISION
1	3/02/10	NOC	UPDATE CONSTRUCTION DETAILS
2	5/12/11	NOC	ADDED FIRE LINE METER DETAIL
3	3/3/14	RAD	CHANGED METER BOX, CURB STOP, REQUIREMENTS
4	1/23/15	RAD	CHANGED 3-INCH & LARGER METER ASSY.
5	6/14/16	RAD	CHANGED MULTIPLE METER CONNECTION DETAIL
6	1/01/18	RAD	CHANGED METER BOX LID SPECIFICATIONS ADDED WATER SERVICE PLACEMENT

**REGIONAL UTILITIES**  
OPERATED BY FLORIDA COMMUNITY SERVICES  
CORPORATION OF WALTON COUNTY INC.

4432 HWY 98 E  
Santa Rosa Beach, FL 32459

Phone: (850) 231-5114  
Fax: (850) 231-9686

POTABLE WATER  
STANDARD DETAILS

PROJECT NAME:	SEAL:
DRAWN BY: RT	CHECKED BY: RAD
PROJECT NO.: 000-000	WORK ORDER: 00.0000
DRAWING SCALE: 1"=XX'	PLOT DATE:
SHEET NO. X OF XX	SHEET: