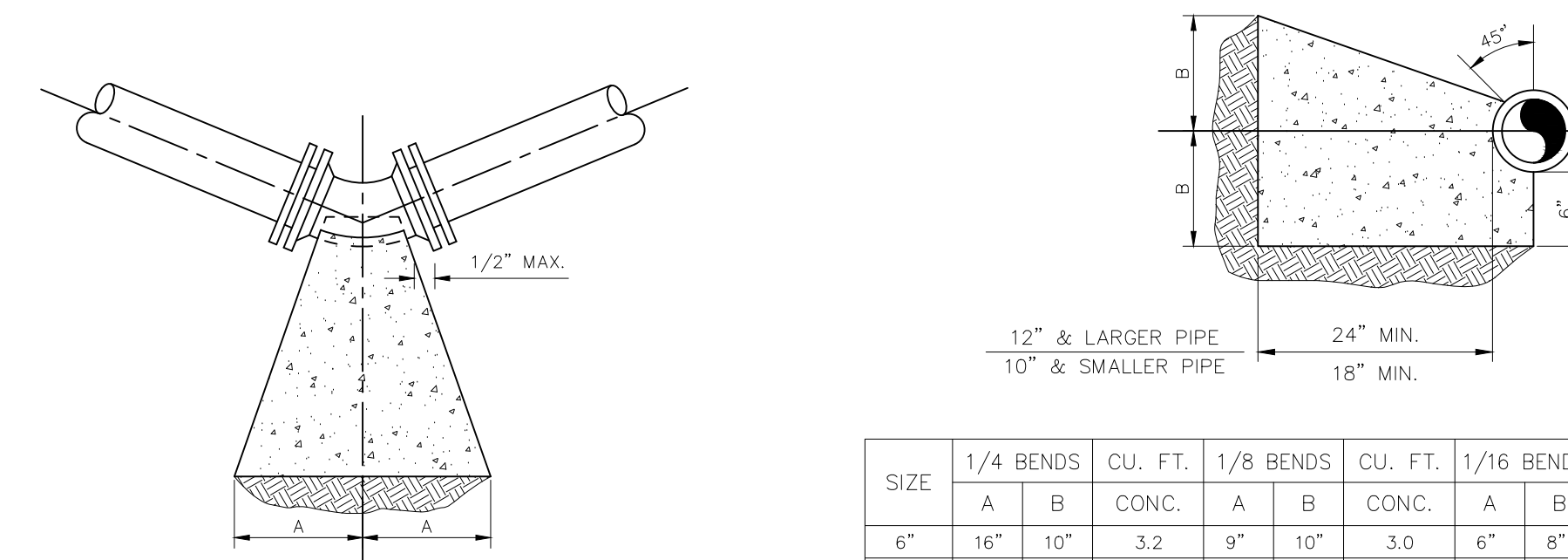


SIZE	TEE		CU. FT. CONC.
	A	B	
6"	10"	12"	3.5
8"	13"	16"	5.4
10"	16"	20"	9.4
12"	18"	24"	16.6
14"	22"	27"	23.2
16"	24"	30"	28.6
18"	26"	32"	36.2

- NOTES:
- ALL BEARING SURFACES TO BE CARRIED TO UNDISTURBED SOIL.
 - THESE TABLES SHOW MINIMUM SIZE THRUST BLOCKS FOR GOOD SOIL (A-1 THRU A-3, CLEAN SAND AND GRAVELS).
 - POOR SOIL (A-4 THRU A-8, SILTY SOILS, CLAYS, MUCK AND PEAT) WILL REQUIRE LARGER THRUST BLOCKS.

SIZE	PLUG		CU. FT. CONC.
	C	D	
6"	10"	21"	2.6
8"	12"	29"	4.5
10"	14"	36"	6.9
12"	16"	41"	9.0
14"	18"	48"	12.3
16"	20"	54"	15.2
18"	22"	60"	19.2

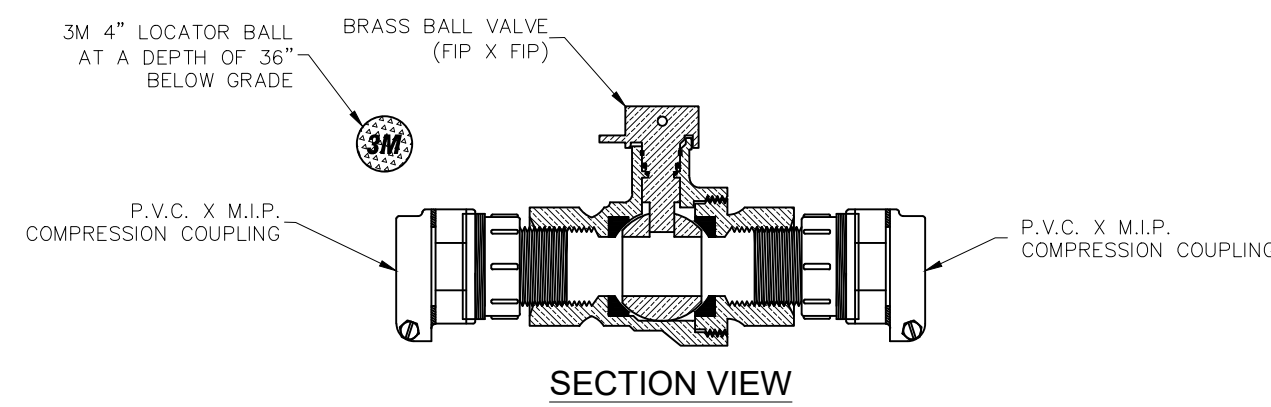
1 THRUST BLOCK DETAIL
N.T.S.



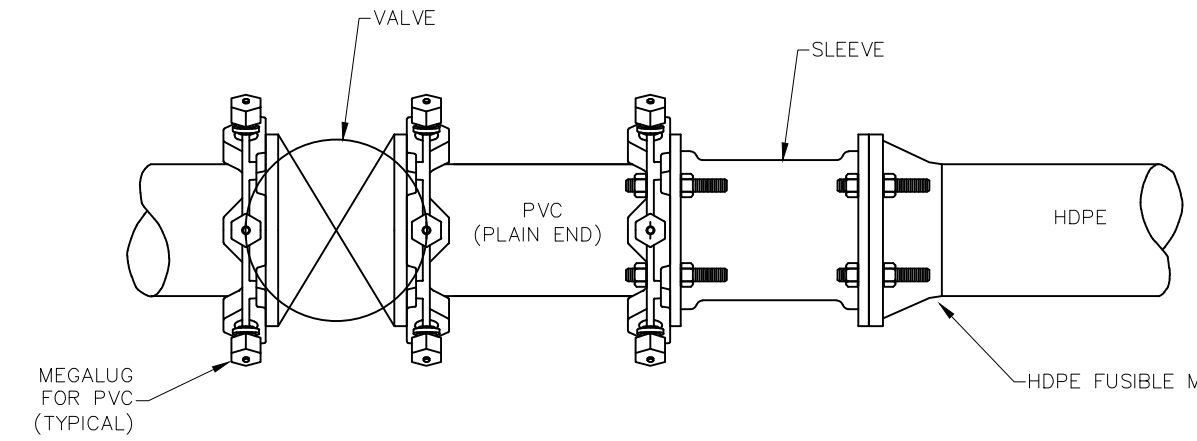
SIZE	1/4 BENDS		CU. FT. CONC.	1/8 BENDS		CU. FT. CONC.	1/16 BENDS		CU. FT. CONC.
	A	B		A	B		A	B	
6"	16"	10"	3.2	9"	10"	3.0	6"	8"	1.3
8"	22"	13"	7.2	12"	13"	3.7	8"	10"	2.1
10"	26"	17"	11.5	14"	17"	5.9	10"	13"	3.6
12"	29"	21"	21.1	16"	21"	8.6	11"	16"	6.6
14"	35"	24"	29.8	19"	24"	14.9	12"	20"	8.9
16"	38"	27"	37.8	21"	27"	19.1	12"	24"	11.2
18"	42"	29"	47.8	22"	29"	24.2	13"	26"	14.2

- NOTES:
- ALL BEARING SURFACES TO BE CARRIED TO UNDISTURBED SOIL.
 - THESE TABLES SHOW MINIMUM SIZE THRUST BLOCKS FOR GOOD SOIL (A-1 THRU A-3, CLEAN SAND AND GRAVELS).
 - POOR SOIL (A-4 THRU A-8, SILTY SOILS, CLAYS, MUCK AND PEAT) WILL REQUIRE LARGER THRUST BLOCKS.

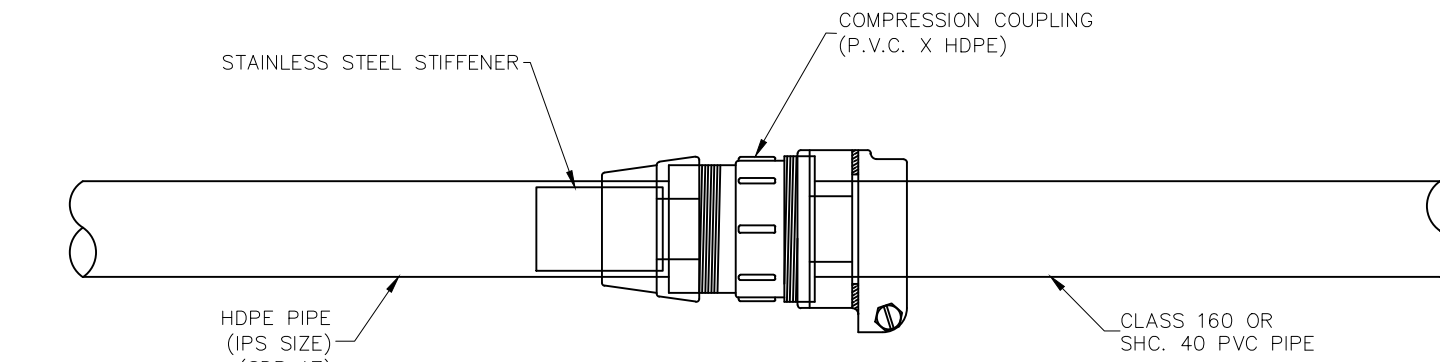
2 THRUST BLOCK DETAIL
N.T.S.



3 TYPICAL BRASS BALL VALVE CONNECTION
N.T.S.

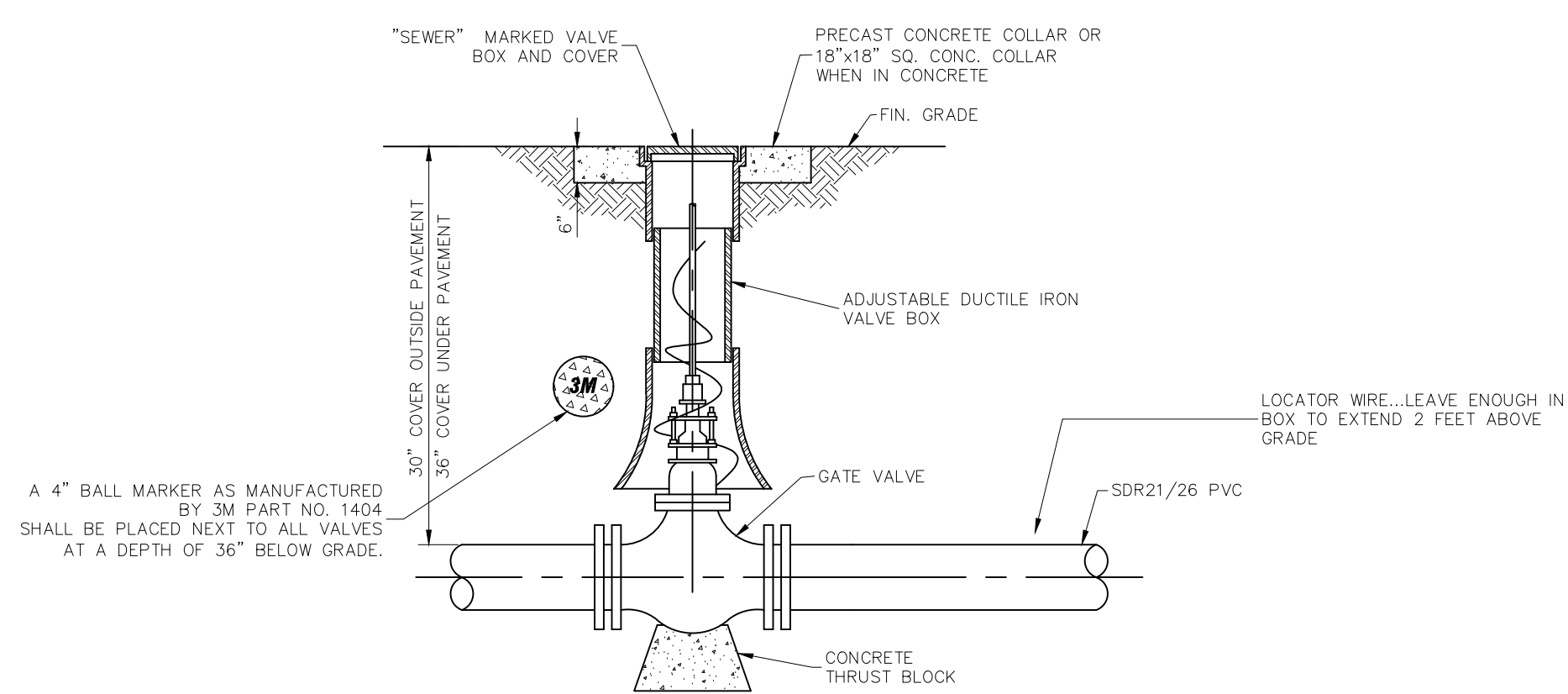


4 HDPE-TO-PVC CONNECTION
(3" DIAMETER AND LARGER)
N.T.S.

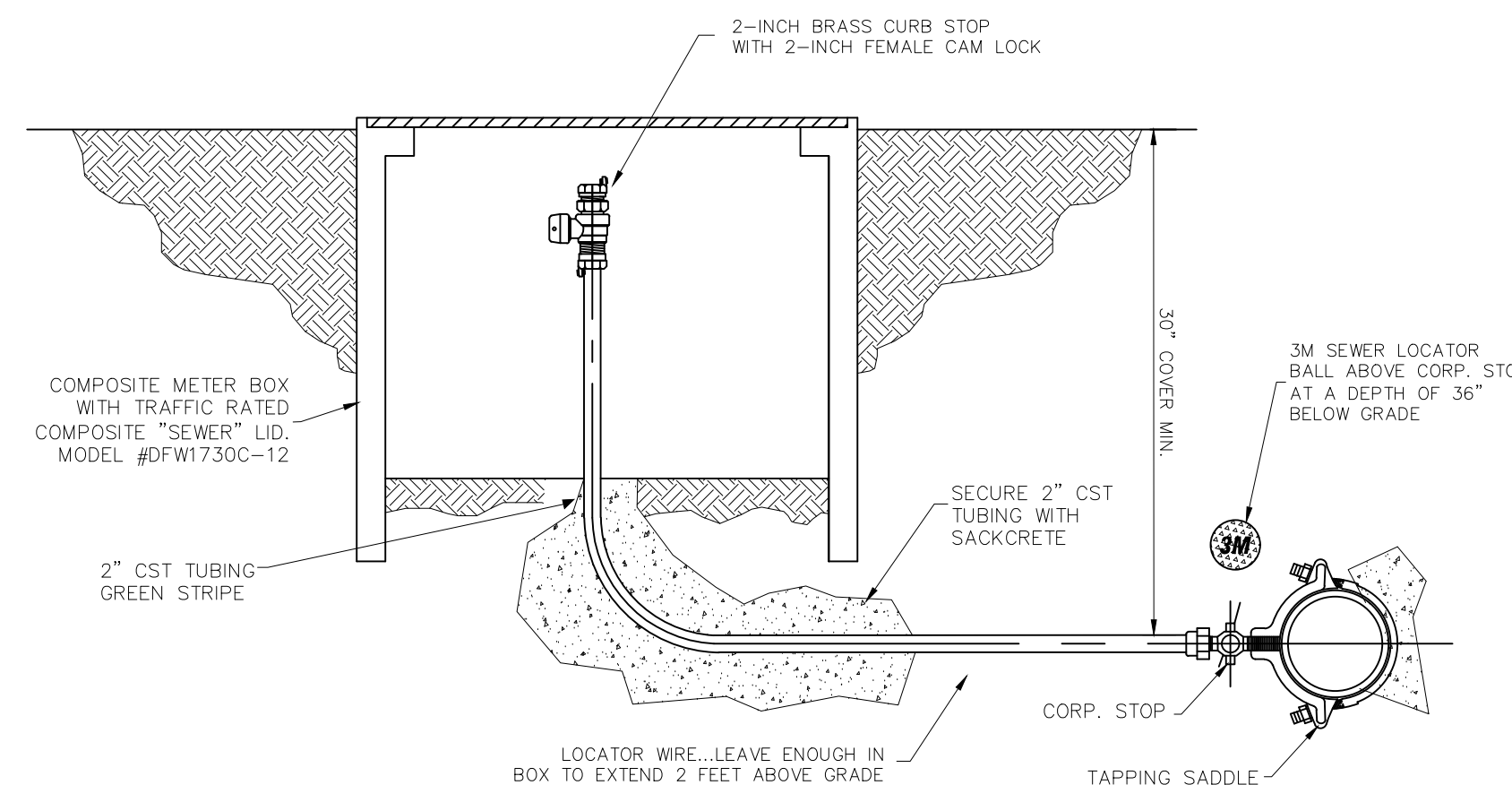


5 HDPE TO PVC TRANSITION
(UP TO 2" DIAMETER)
N.T.S.

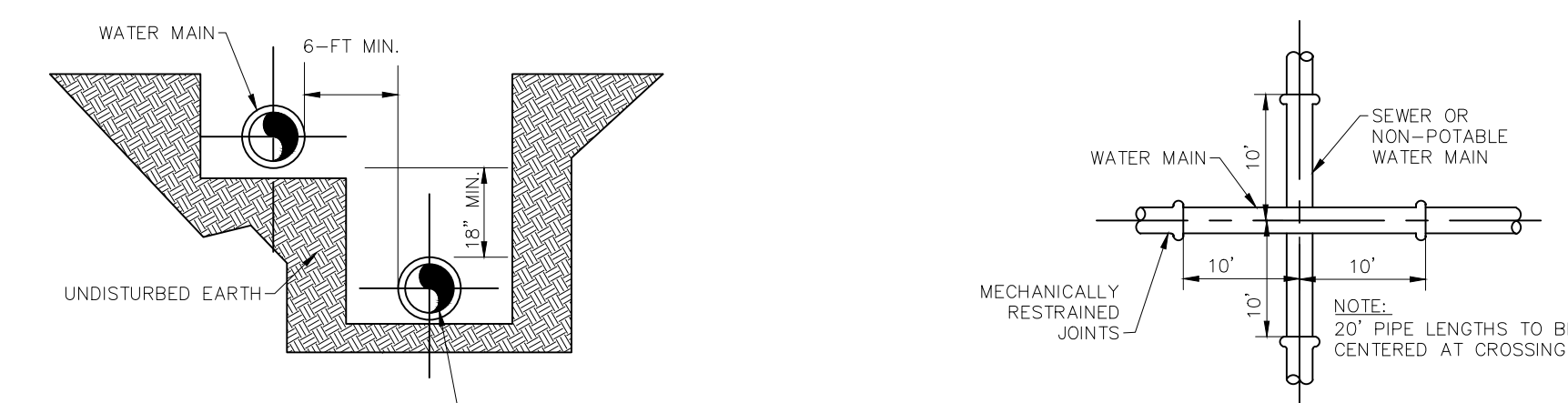
APPROVED FOR 2021



6 TYPICAL INLINE VALVE
N.T.S.



7 TYPICAL CLEANOUT
N.T.S.



- NOTES:
- WHERE A 10 FOOT PARALLEL SEPARATION CANNOT BE MAINTAINED BETWEEN A WATER MAIN AND A SEWER MAIN OR NON-POTABLE WATER MAIN, THEN THE WATER MAIN SHALL BE LAID IN A SEPARATE TRENCH OR ON AN UNDISTURBED EARTH SHELF AT LEAST 18 INCHES ABOVE THE TOP OF THE SEWER MAIN OR NON-POTABLE WATER MAIN AND 6 FEET HORIZONTALLY FROM THE EDGE OF THE SEWER MAIN OR NON-POTABLE WATER MAIN.
 - ANYTHING LESS THAN SHOWN MUST BE APPROVED BY THE FLORIDA DEPARTMENT OF ENVIRONMENTAL PROTECTION.

8 WATER/SEWER SEPARATION DETAIL
MUST BE APPROVED BY FDEP
N.T.S.

REGIONAL UTILITIES
OPERATED BY FLORIDA COMMUNITY SERVICES CORPORATION OF WALTON COUNTY INC.

4432 HWY. 98 EAST
SANTA ROSA BEACH, FL 32459
Phone: (850) 231-5114
Fax: (850) 231-4924

PRESSURE SEWER
STANDARD DETAILS

PROJECT NAME:

SCALE:

DRAWN BY: RT
CHECKED BY: RAD

PROJECT NO.: 000-000

DRAWING SCALE: N.T.S.

PLOT DATE:

SHEET NO. 2 OF 2

SHEET: PS-2