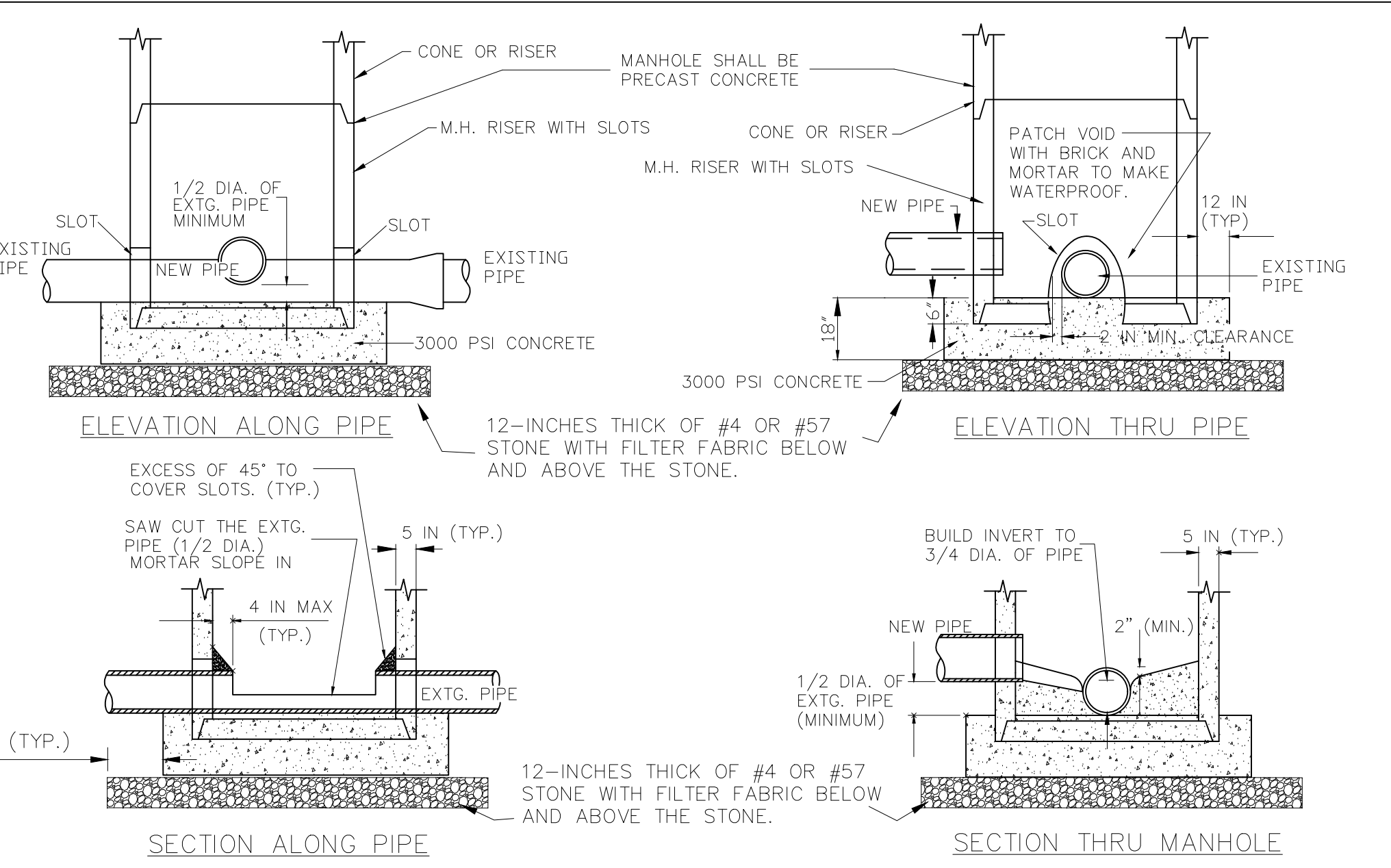


NOTES

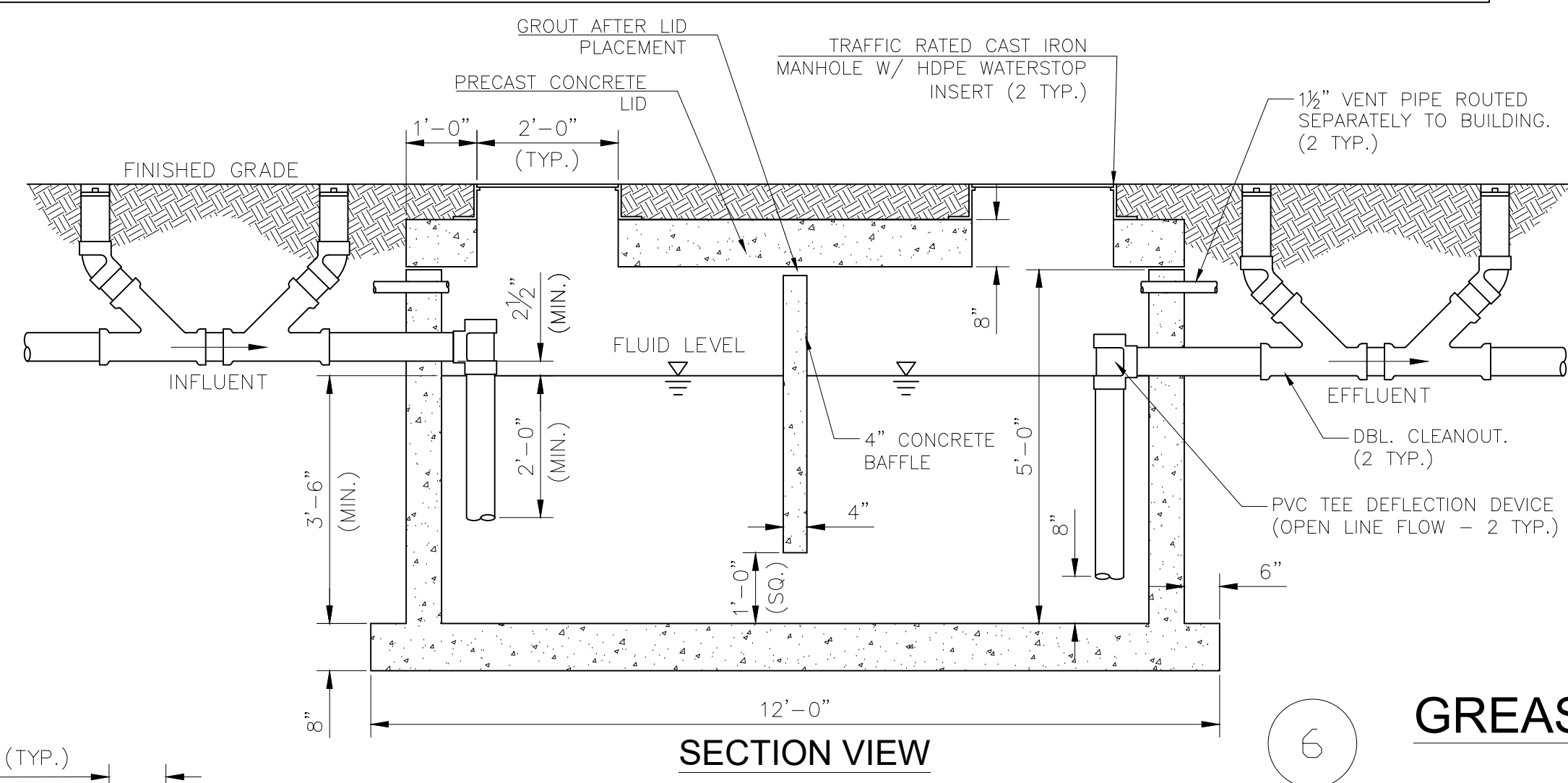
1. PRECAST MANHOLE SECTIONS TO BE MANUFACTURED IN ACCORDANCE WITH LATEST EDITION OF ASTM C 478 WITH 4,000 LB. CONCRETE, TYPE II CEMENT.
2. THE INTERIOR AND EXTERIOR OF MANHOLE SHALL BE GIVEN TWO COATS OF FABERTITE BITUMINOUS WATERPROOFING MATERIAL, DO NOT COAT JOINT OF PIPE OPENING SURFACES.

NOTE: MANHOLE FRAME AND COVER SHALL BE U.S. FOUNDRY E-170 OR EQUIVALENT.

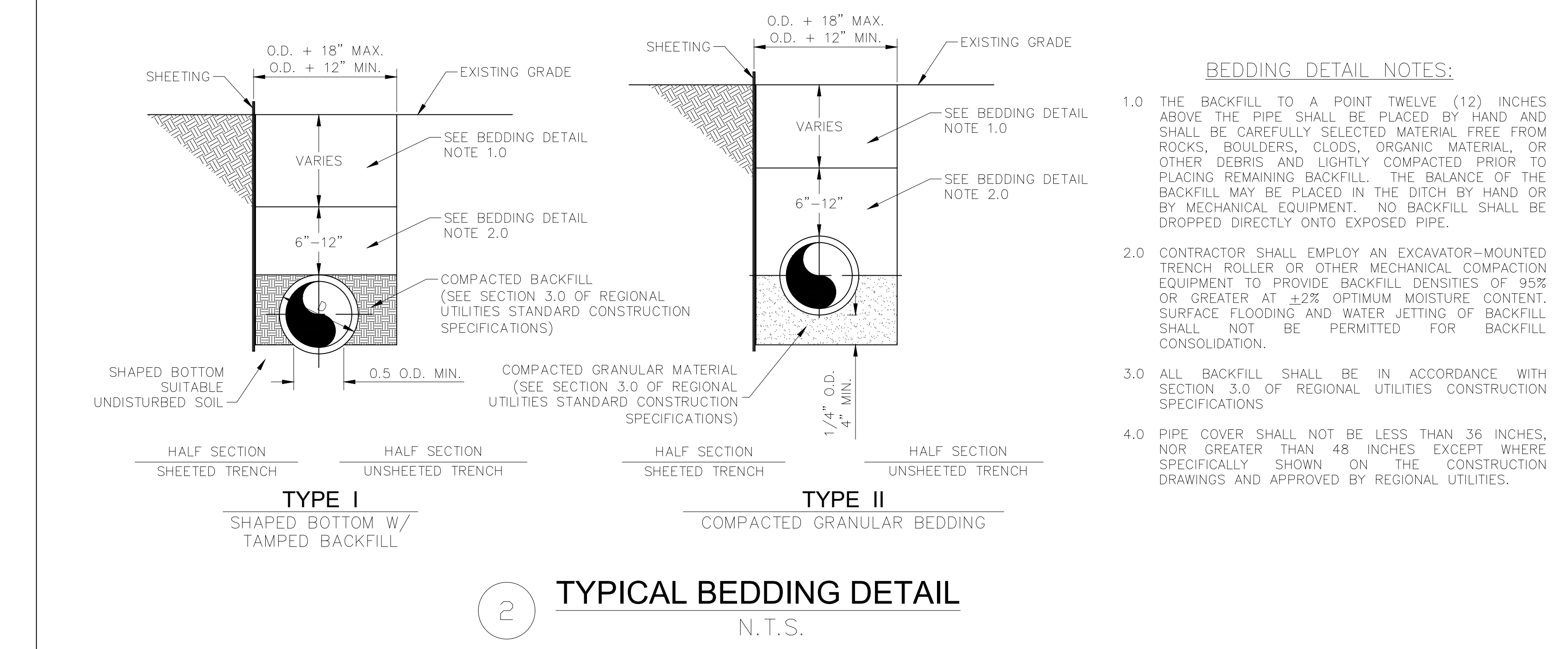
1 SANITARY SEWER STANDARD MANHOLE
N.T.S. (8"-21" SEWERS)



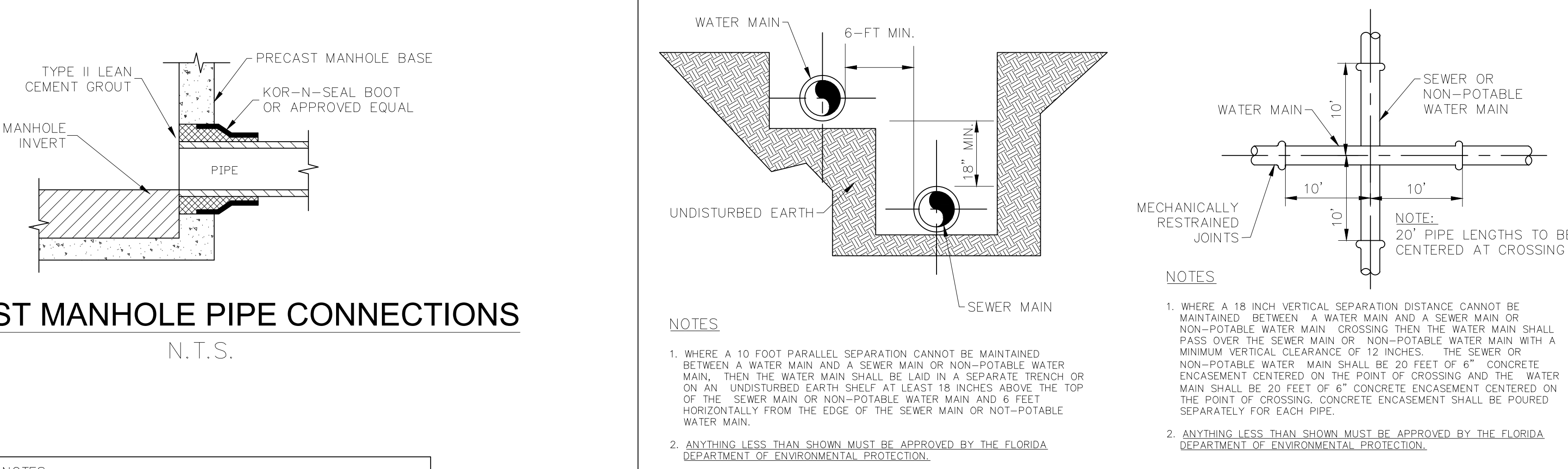
3 DOGHOUSE MANHOLE
N.T.S. (8"-21" SEWERS)



6 GREASE INTERCEPTOR
N.T.S.



2 TYPICAL BEDDING DETAIL
N.T.S.



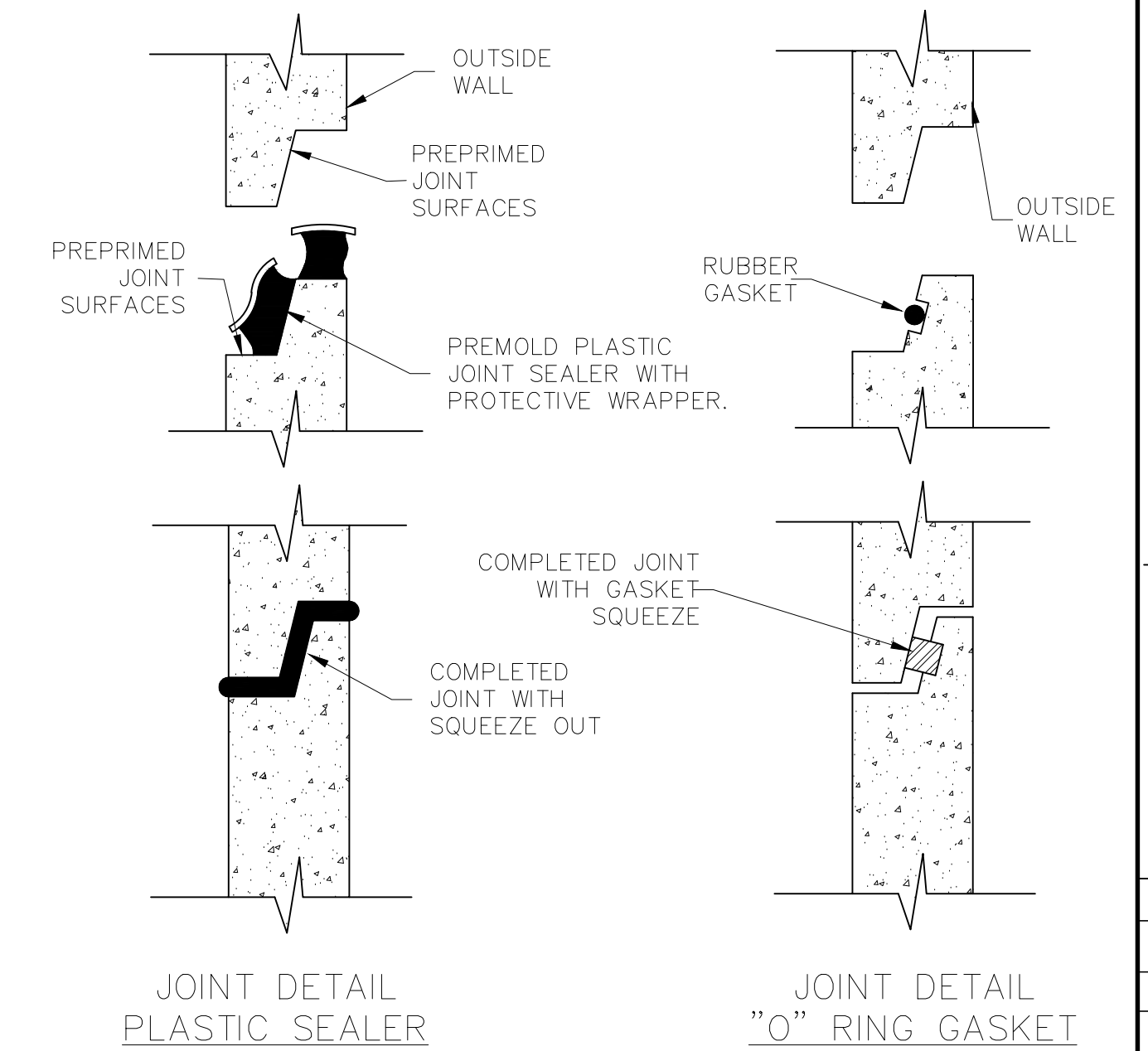
4 PRECAST MANHOLE PIPE CONNECTIONS
N.T.S.

5 WATER/SEWER SEPARATION DETAIL
N.T.S.

NOTES:

1. PRECAST MANHOLE SECTIONS TO BE MANUFACTURED IN ACCORDANCE WITH LATEST EDITIONS OF ASTM C-478 WITH 4,000 LB. CONCRETE, TYPE II CEMENT.
2. THE INTERIOR AND EXTERIOR OF MANHOLE SHALL BE GIVEN TWO COATS OF FABERTITE BITUMINOUS WATERPROOFING MATERIAL, DO NOT COAT JOINT OR PIPE OPENING SURFACES.
3. MANHOLE FRAME AND COVER SHALL BE U.S. FOUNDRY E-170 OR EQUIVALENT.
4. ALL GREASE INTERCEPTORS SHALL BE DESIGNED AND CONSTRUCTED IN ACCORDANCE WITH CHAPTER 10 OF THE 2004 FLORIDA BUILDING CODE, PLUMBING SECTION.

APPROVED FOR 2021



7 TYPICAL MANHOLE JOINT DETAIL
N.T.S.

NOTE:
USE HYDRAULIC CEMENT GROUT INSIDE AND OUT AT JOINTS AND COAT WITH TWO COATS OF FABERTITE BITUMINOUS WATER PROOFING MATERIAL.

NO.	DATE	APPR.	NO.	REVISION
1	3/02/10			UPDATE CONSTRUCTION DETAILS
2	3/3/14			UPDATE SEWER LATERAL DETAIL
3	1/17/16			ADDED DOGHOUSE MANHOLE DETAIL
4	1/1/18			CHANGED HORIZONTAL SEPARATION DETAIL
5	3/01/19			ADDED #57 STONE BENEATH MANHOLES CHANGES SEWER SERVICE LATERAL

REGIONAL UTILITIES
OPERATED BY FLORIDA COMMUNITY SERVICES CORPORATION OF WALTON COUNTY INC.

4432 HWY 98 EAST
Santa Rosa Beach, FL 32459
Phone: (850) 231-5114
Fax: (850) 231-4924

PROJECT NAME:
SHEET TITLE:
SCALE:
DRAWN BY: RT
CHECKED BY: RAD
PROJECT NO.: 000-000
DRAWING SCALE: N.T.S.
PLOT DATE:
SHEET NO. 2 OF 2
SHEET: S-2