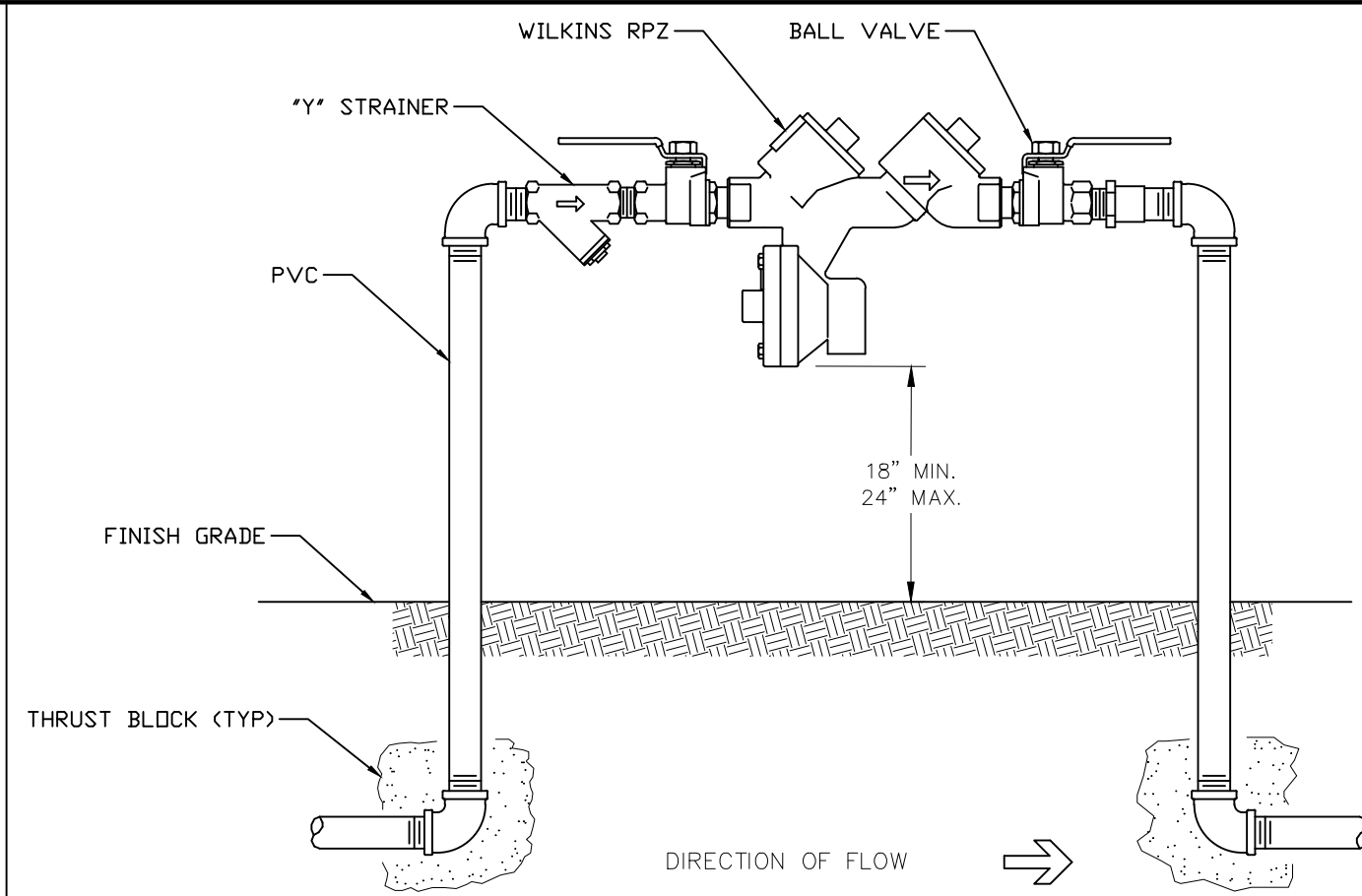
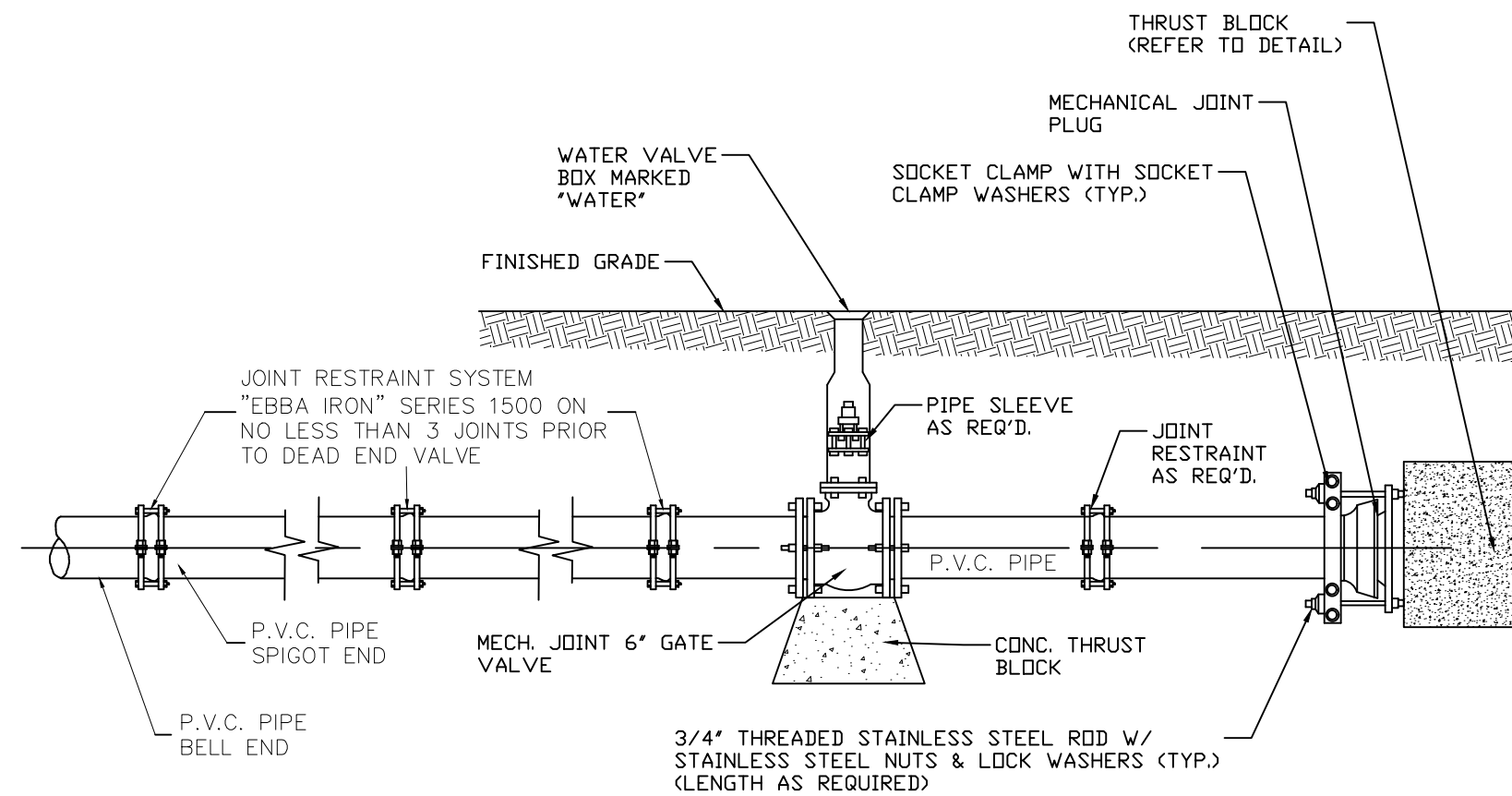


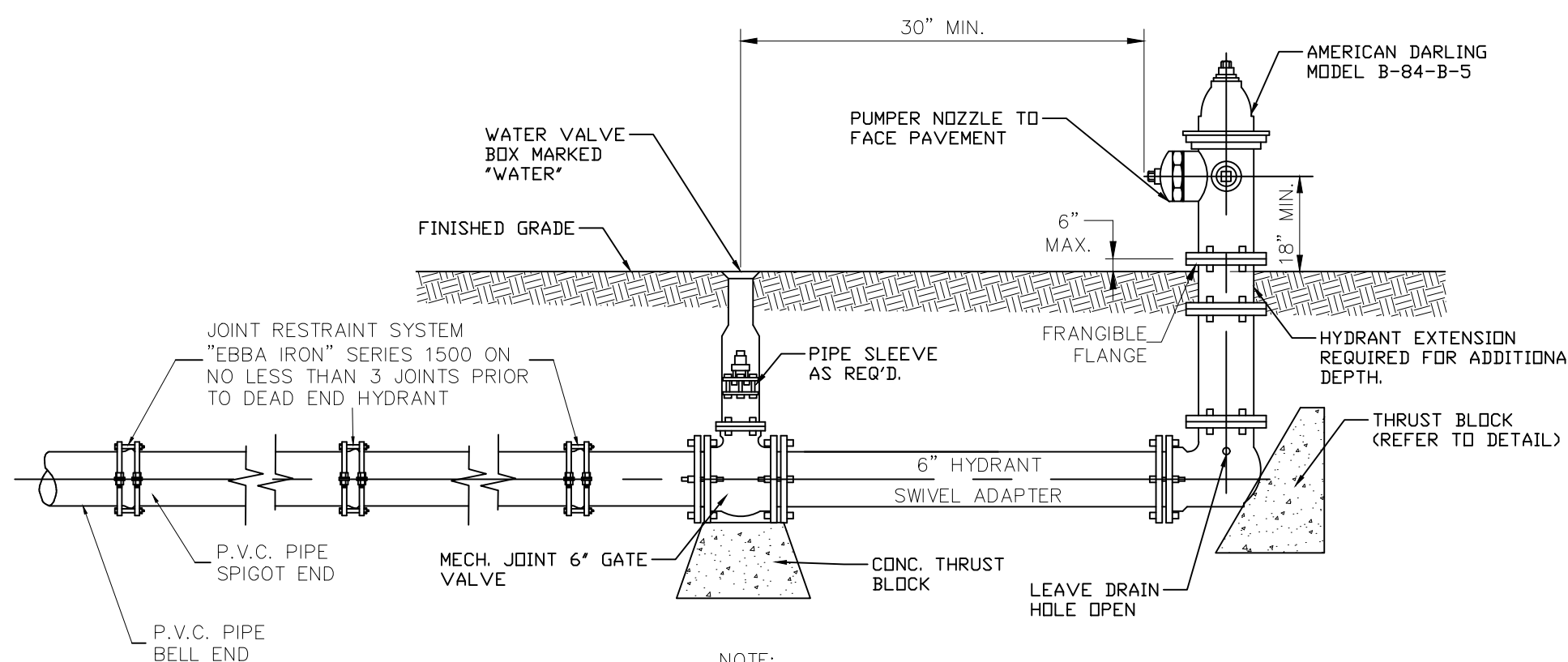
1 CONNECTION FOR FIRE AND WATER SERVICE
(FOR BORED WATER MAIN SITUATIONS ONLY)
N.T.S.



2 REDUCED PRESSURE BACKFLOW ASSEMBLY 3/4"-2"
N.T.S.

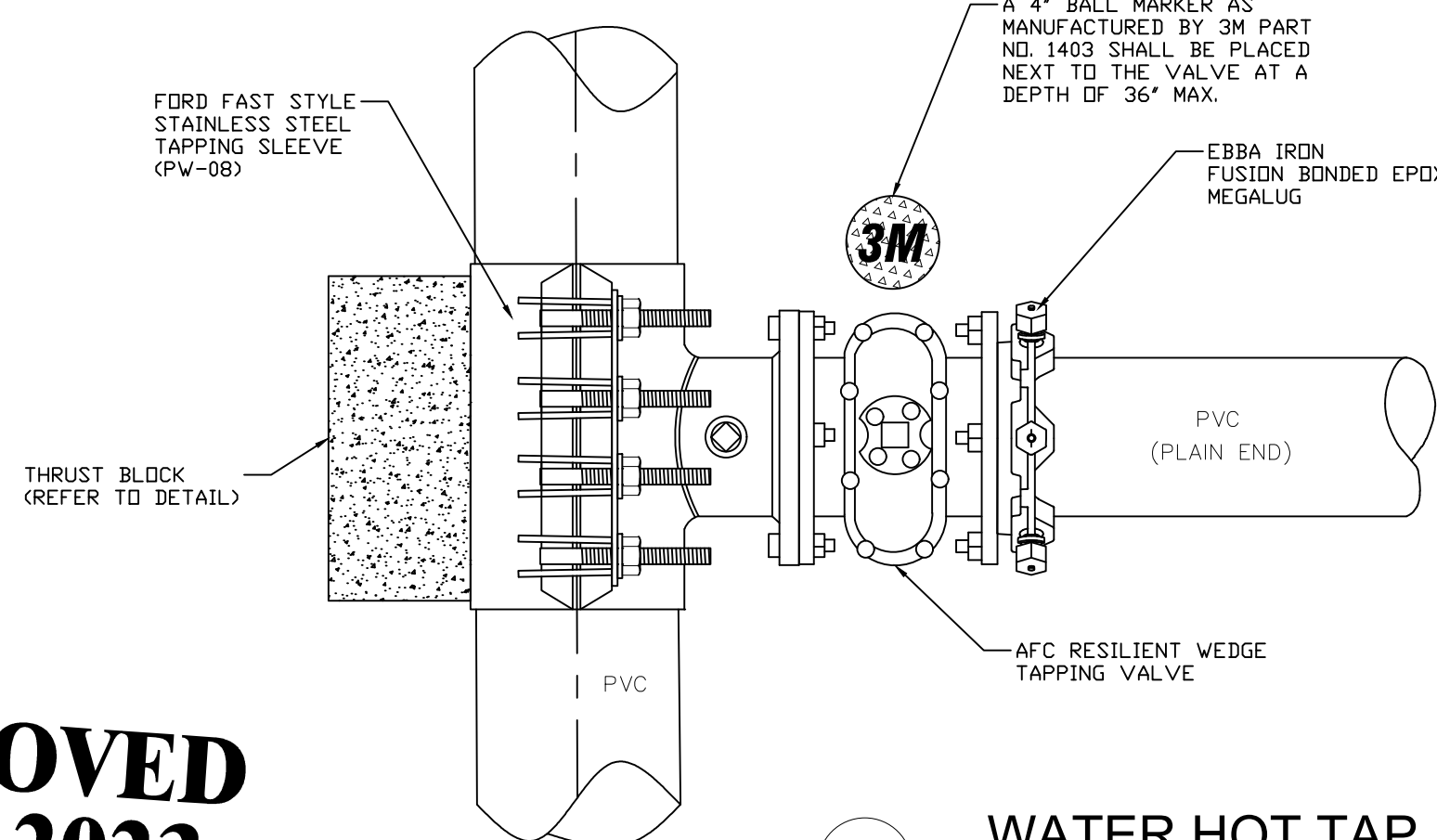


3 DEAD END STUB OUT
N.T.S.

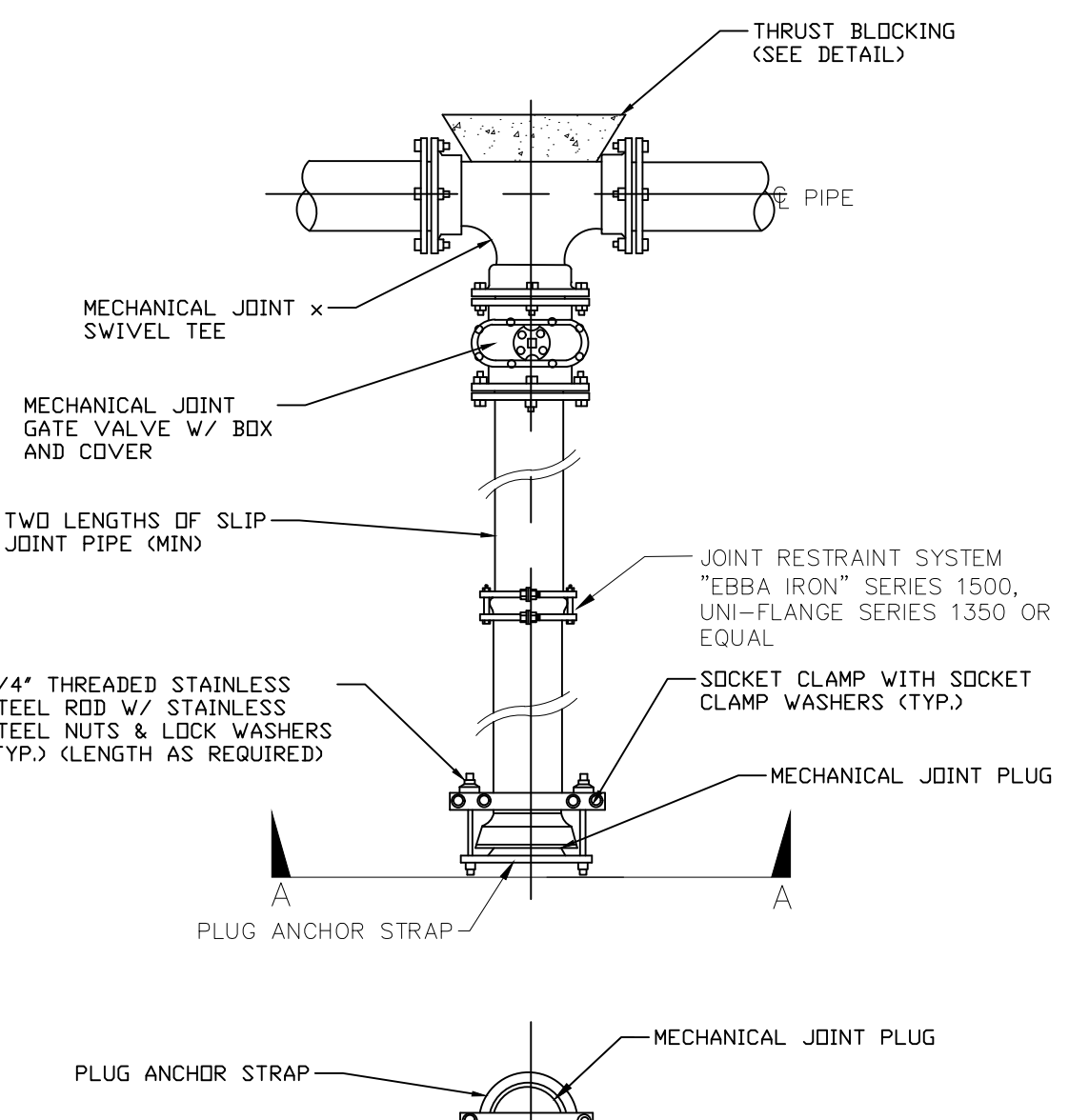


4 DEAD END FIRE HYDRANT INSTALLATION
N.T.S.

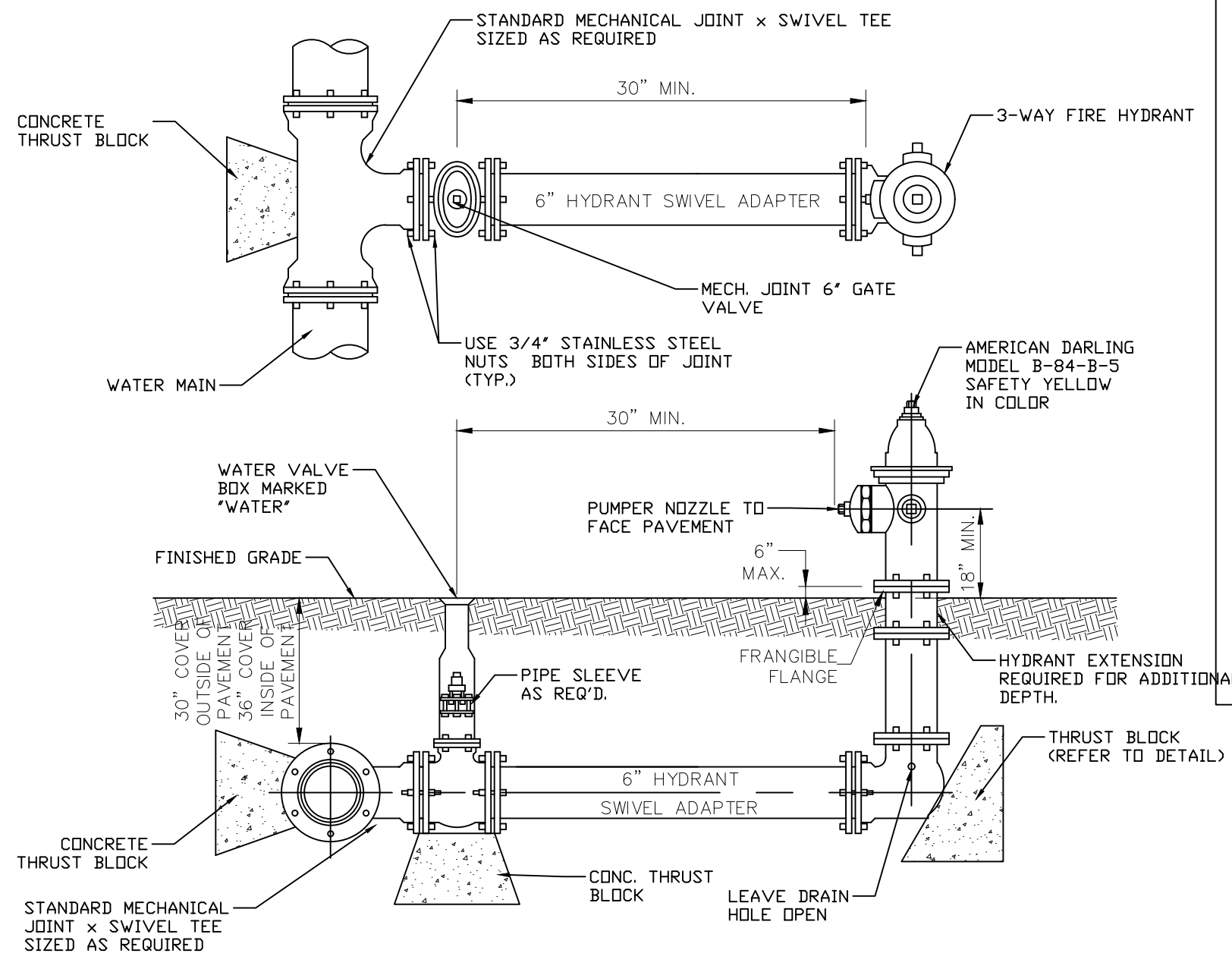
APPROVED FOR 2023



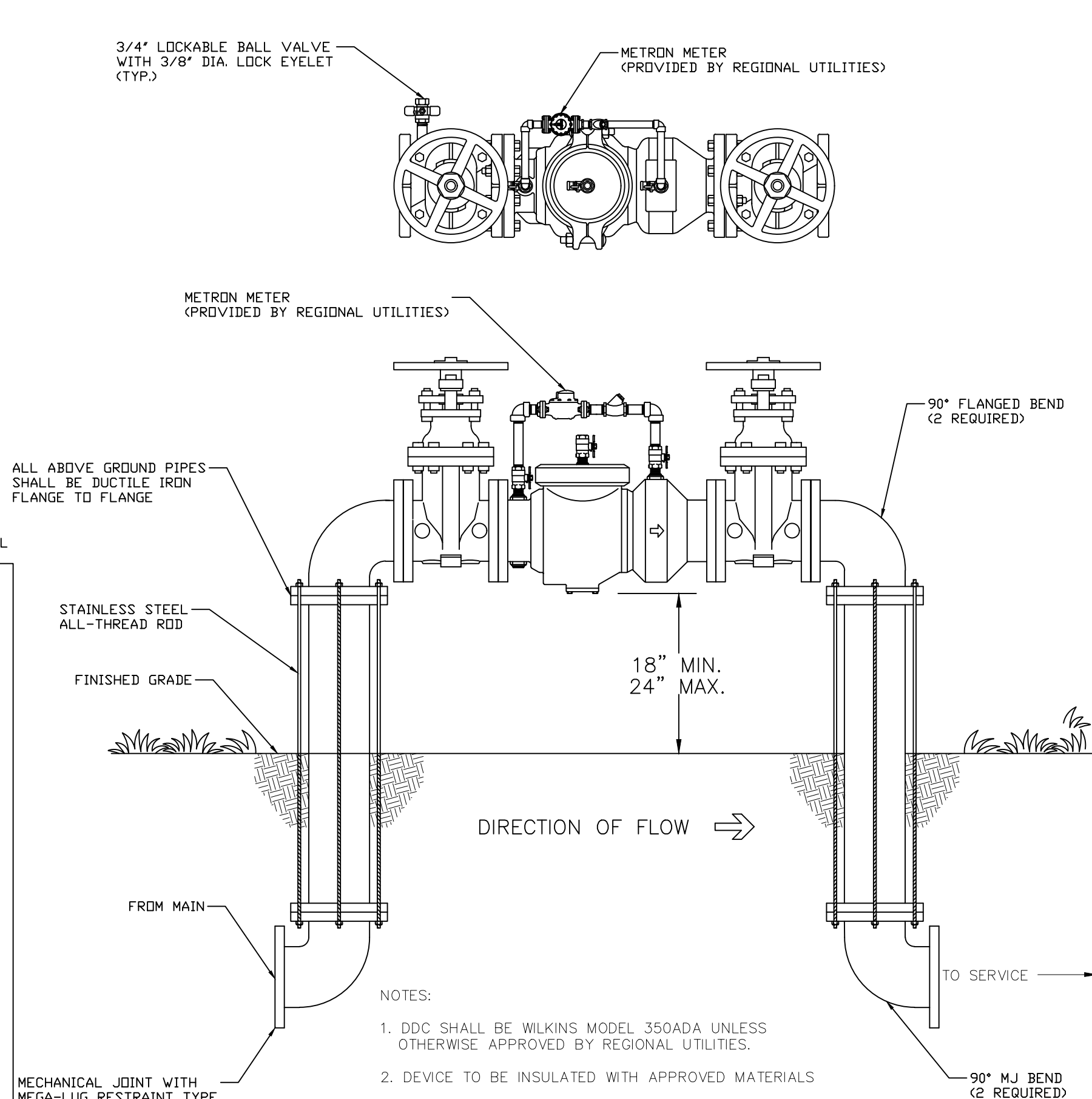
5 WATER HOT TAP 3" AND LARGER
N.T.S.



6 DEAD END STUB DETAIL
N.T.S.



7 TYPICAL FIRE HYDRANT INSTALLATION
N.T.S.



8 FIRE LINE BACK FLOW PREVENTOR
N.T.S.

GENERAL NOTES – POTABLE WATER CONSTRUCTION

- CONTRACTOR SHALL COORDINATE INSTALLATION OF POTABLE WATER MAINS WITH ALL OTHER UTILITIES PRIOR TO COMMENCING CONSTRUCTION.
- HYDROSTATIC TESTS, LEAKAGE TESTS, DISINFECTION, AND BACTERIOLOGICAL TESTS SHALL BE PERFORMED IN ACCORDANCE WITH THE WRITTEN CONSTRUCTION SPECIFICATION OF REGIONAL UTILITIES AND ALL APPLICABLE F.D.E.P. AND AWWA REQUIREMENTS.
- NO POTABLE WATER MAIN CONSTRUCTION SHALL COMMENCE UNTIL SHOP DRAWINGS HAVE BEEN APPROVED AND A PRE-CONSTRUCTION CONFERENCE HELD WITH REGIONAL UTILITIES STAFF.
- PROVIDE LOCKS, IN ACCORDANCE WITH THE WRITTEN CONSTRUCTION SPECIFICATIONS OF REGIONAL UTILITIES, ON ALL CURB STOPS.
- CONTRACTOR SHALL NOTIFY REGIONAL UTILITIES 48 HOURS PRIOR TO COMMENCEMENT OF CONSTRUCTION. UTILITY REPRESENTATIVES WILL PERFORM ALL TAPS OF EXISTING LINES AND MUST WITNESS ALL TIES OF AND TESTS OF NEW LINES.
- IT IS REQUIRED THAT ALL NEW AND RELOCATED WATER SERVICES AND PLUMBING SHALL BE IN CONFORMANCE WITH STATE AND FEDERAL REGULATIONS PERTAINING TO THE CONTROL OF LEAD AND COPPER.
- CONTRACTOR SHALL PROVIDE A COMPOSITE METER BOX WITH A COMPOSITE LID AT THE CURB STOP OF ALL WATER SERVICES AS SHOWN IN THE TYPICAL WATER METER INSTALLATION DETAIL. MATERIALS SHALL BE IN ACCORDANCE WITH THE WRITTEN SPECIFICATIONS OF REGIONAL UTILITIES. METER IS TO BE SET BY REGIONAL UTILITIES.
- CONTRACTOR SHALL PROVIDE AS-BUILT DRAWINGS IN ACCORDANCE WITH REGIONAL UTILITIES SPECIFICATIONS.
- THE LOCATION OF ALL WATER SERVICE STUBS ARE TO BE MARKED BY THE LETTER "W" SCRIBED A MINIMUM OF 2" HIGH AND 1/4" DEEP IN TOP OF CURB. IF NO CURBING IS INSTALLED A 3" SQUARE STEEL TAG INSCRIBED WITH A 2" LETTER "W" IS TO BE ATTACHED TO THE STREET PAVEMENT.
- A 4" WATER BALL MARKER, AS MANUFACTURED BY 3M PART NO. 1403, SHALL BE PLACED AT ALL INLINE VALVES ALONG WATER MAIN, AT ALL CORP STOP LOCATIONS, AND IN ALL METER BOXES. MAXIMUM DEPTH OF MARKER BALL IS 36".
- ALL MECHANICAL JOINTS SHALL USE MEGA-LUG RESTRAINT TYPE RETAINING GLANDS.
- MINIMUM SEPARATION BETWEEN WATER OR SEWER AND ELECTRICAL CONDUITS OR ELECTRICAL LINES SHALL BE 72" MINIMUM HORIZONTAL & 18" VERTICAL WITH ELECTRICAL BEING BELOW THE WATER AND SEWER LINES. IN CASES WHERE 18" VERTICAL SEPARATION CAN NOT BE MET, 96" OF HORIZONTAL SEPARATION SHALL BE REQUIRED.
- ALL MECHANICAL JOINT FITTINGS ON PRESSURE PIPE SHALL HAVE BOTH "MEGALUG" TYPE JOINT RESTRAINING GLANDS AND THRUST BLOCKS.
- THE CONTRACTOR IS RESPONSIBLE FOR OBTAINING AND MEETING THE REQUIREMENTS OF REGIONAL UTILITIES STANDARD DETAILS AND SPECIFICATIONS LATEST EDITION.
- ANY LOCATION WHERE PRESSURE PIPELINES CURVATURE EXCEEDS MANUFACTURER'S SPECIFICATIONS; APPROPRIATE MECHANICAL JOINT FITTINGS SHALL BE USED.
- ALL 2-INCH VALVES SHALL BE BALL TYPE. 2-INCH GATE VALVES SHALL NOT BE USED.
- ALL TIE IN TO EXISTING PRESSURIZED PIPELINES SHALL BE BY TAPPING SLEEVE (3 INCH TAP AND LARGER) (OR TAPPING SADDLE, 2 INCH TAP AND SMALLER) AND VALVE.
- DEVELOPERS OF PRIVATE PROJECTS SHALL PROVIDE ALL WETLANDS PERMITS NECESSARY FOR UTILITY CONSTRUCTION.
- ALL CONSTRUCTION MUST BE IN ACCORDANCE WITH THE LATEST EDITION OF REGIONAL UTILITIES' STANDARD SPECIFICATIONS.
- JOINT RESTRAINTS SHALL BE REQUIRED ON ALL WATER MAINS LOCATED IN PAVED AREAS AND WETLANDS.
- ALL WATER TAPS SHALL BE LOCATED OUT FROM UNDER PROPOSED FUTURE PAVEMENT.
- WATER SERVICES SHALL BE LOCATED ABOVE STORMWATER EXFILTRATION SYSTEMS.
- POTABLE WATER MAINS SHALL BE LOCATED ABOVE STORMWATER EXFILTRATION SYSTEMS.
- PRIOR TO A FINAL INSPECTION, ALL LOT CORNERS SHALL BE STAKED BY THE SURVEYOR. INSPECTOR WILL NOT PERFORM FINAL INSPECTION IF STAKING IS INCOMPLETE.

BACKFLOW PREVENTORS

- ALL WATER SERVICE LINES SHALL BE REQUIRED TO HAVE A BACKFLOW DEVICE PURSUANT TO REGIONAL UTILITIES SPECIFICATIONS.
- ALL FIRE LINES SHALL HAVE A DOUBLE DETECTOR CHECK VALVE ASSEMBLY WITH A 5/8" BYPASS METER. THE METER SHALL BE PURCHASED FROM REGIONAL UTILITIES.
- REDUCED PRESSURE ZONE BACKFLOW ASSEMBLIES (RPZ) ARE REQUIRED FOR ALL COMMERCIAL, HIGH HAZARD WATER USES, AND FOR HOUSEHOLDS WITH RECLAIM WATER IRRIGATION SERVICES.
- ALL BACKFLOW PREVENTORS SHALL BE OF THE TYPE REQUIRED BY F.D.E.P. AWWA AND NFPA CODES AND MUST BE PER REGIONAL UTILITIES BACKFLOW PREVENTION MANUAL.
- ALL SWIMMING POOLS SHALL HAVE RPZ BACKFLOW PREVENTORS.
- ALL WATER SERVICES 1-1/2" AND LARGER ARE REQUIRED TO HAVE AN RPZ BACKFLOW PREVENTOR REGARDLESS IF RESIDENTIAL OR COMMERCIAL.

PROJECT NAME:		
SHEET TITLE:	POTABLE WATER STANDARD DETAILS	
SCALE:		
DRAWN BY:	CHECKED BY:	
RT	RAD	
PROJECT NO.:	000-000	
WORK ORDER:	00.0000	
DRAWING SCALE:	1"=XX'	
PLOT DATE:		
SHEET NO.:	X	OF XX
SHEET:	W-1	

REGIONAL UTILITIES
OPERATED BY FLORIDA COMMUNITY SERVICES CORPORATION OF WALTON COUNTY INC.
4432 HWY 98 E
Santa Rosa Beach, FL 32459
Phone: (850) 231-5114
Fax: (850) 231-9696