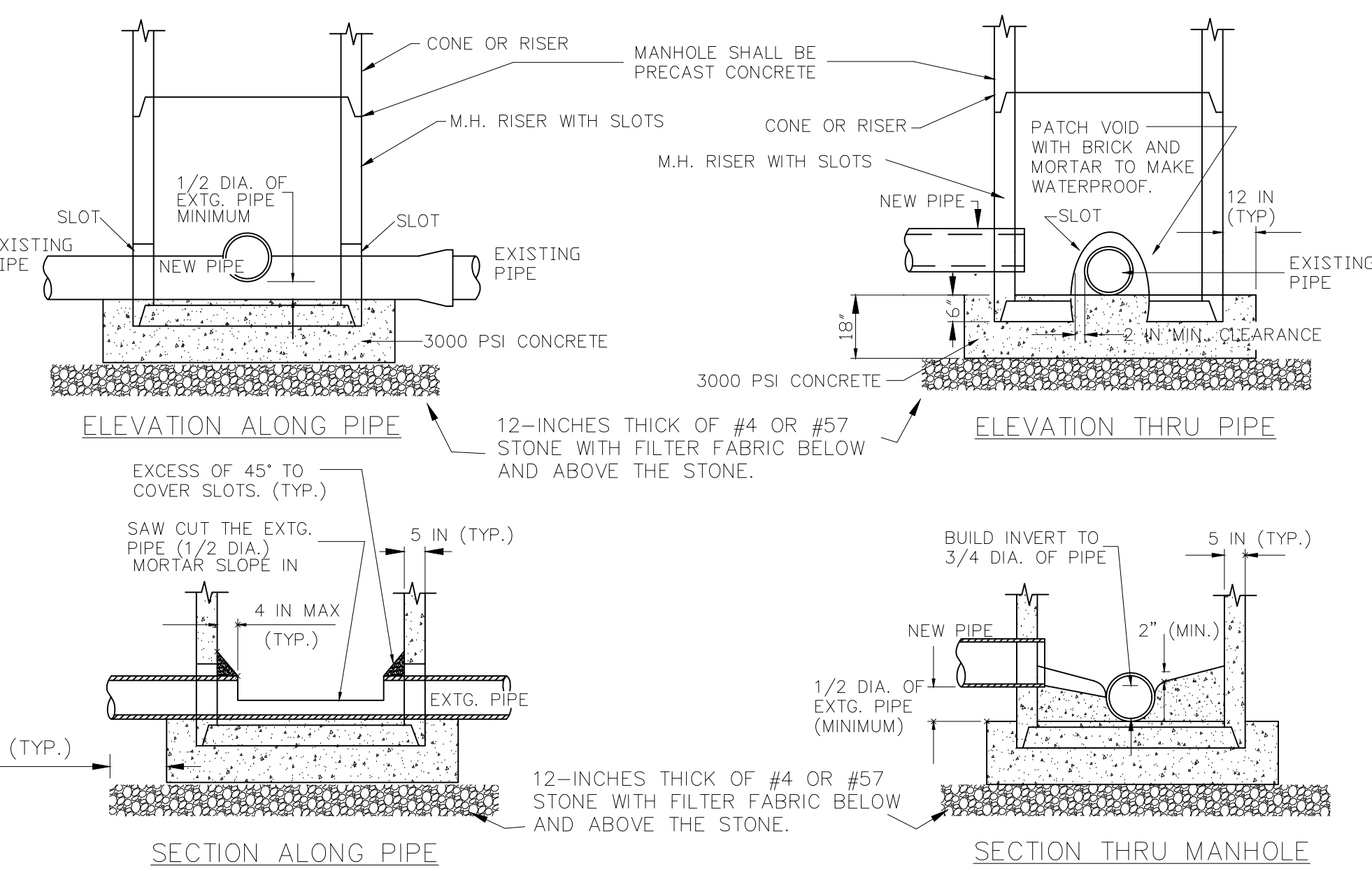
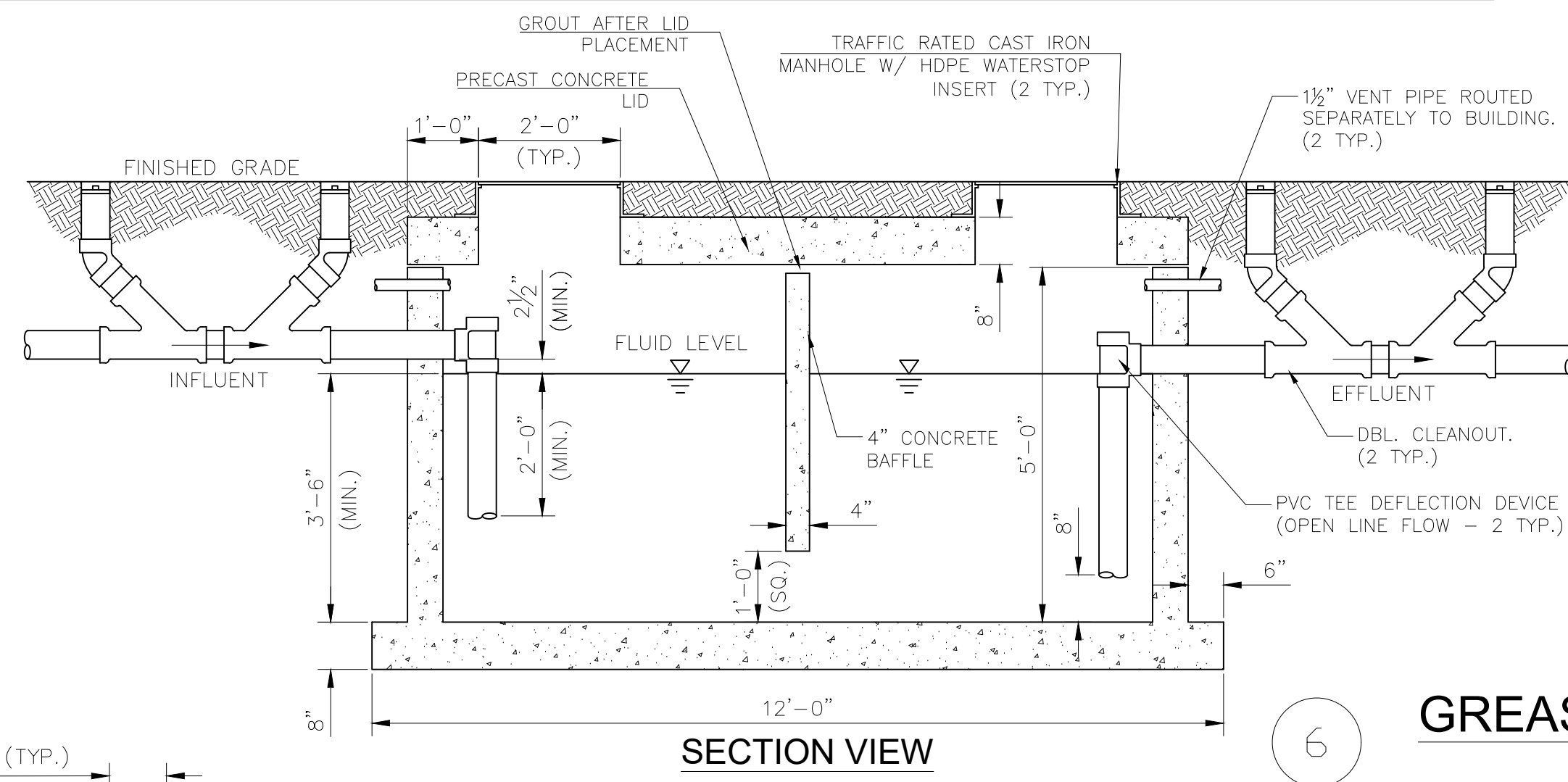


- NOTES**
1. PRECAST MANHOLE SECTIONS TO BE MANUFACTURED IN ACCORDANCE WITH LATEST EDITION OF ASTM C 478 WITH 4,000 LB. CONCRETE, TYPE II CEMENT.
 2. THE INTERIOR AND EXTERIOR OF MANHOLE SHALL BE GIVEN TWO COATS OF FABERTITE BITUMINOUS WATERPROOFING MATERIAL, DO NOT COAT JOINT OF PIPE OPENING SURFACES.
 3. STEPS ARE REQUIRED FOR ALL MANHOLES.
- NOTE: MANHOLE FRAME AND COVER SHALL BE U.S. FOUNDRY E-170 OR EQUIVALENT.

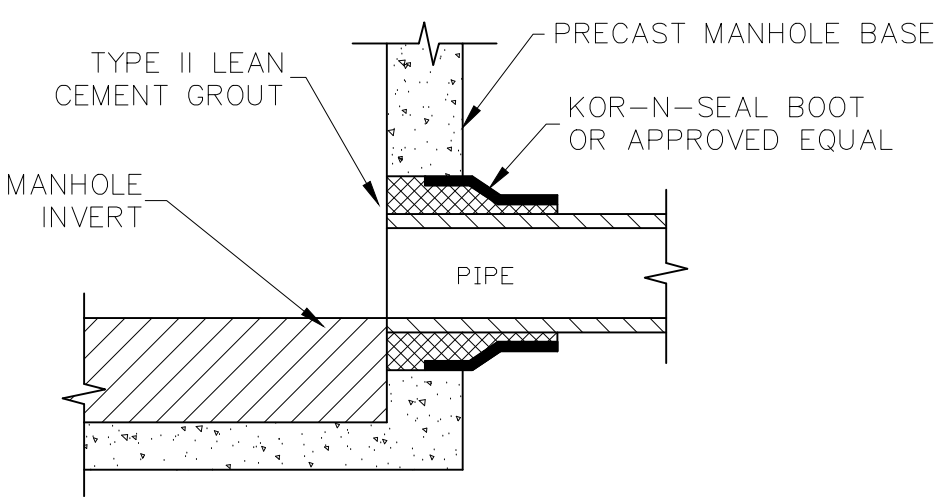
1 SANITARY SEWER STANDARD MANHOLE
N.T.S. (8"-21" SEWERS)



3 DOGHOUSE MANHOLE
N.T.S. (8"-21" SEWERS)

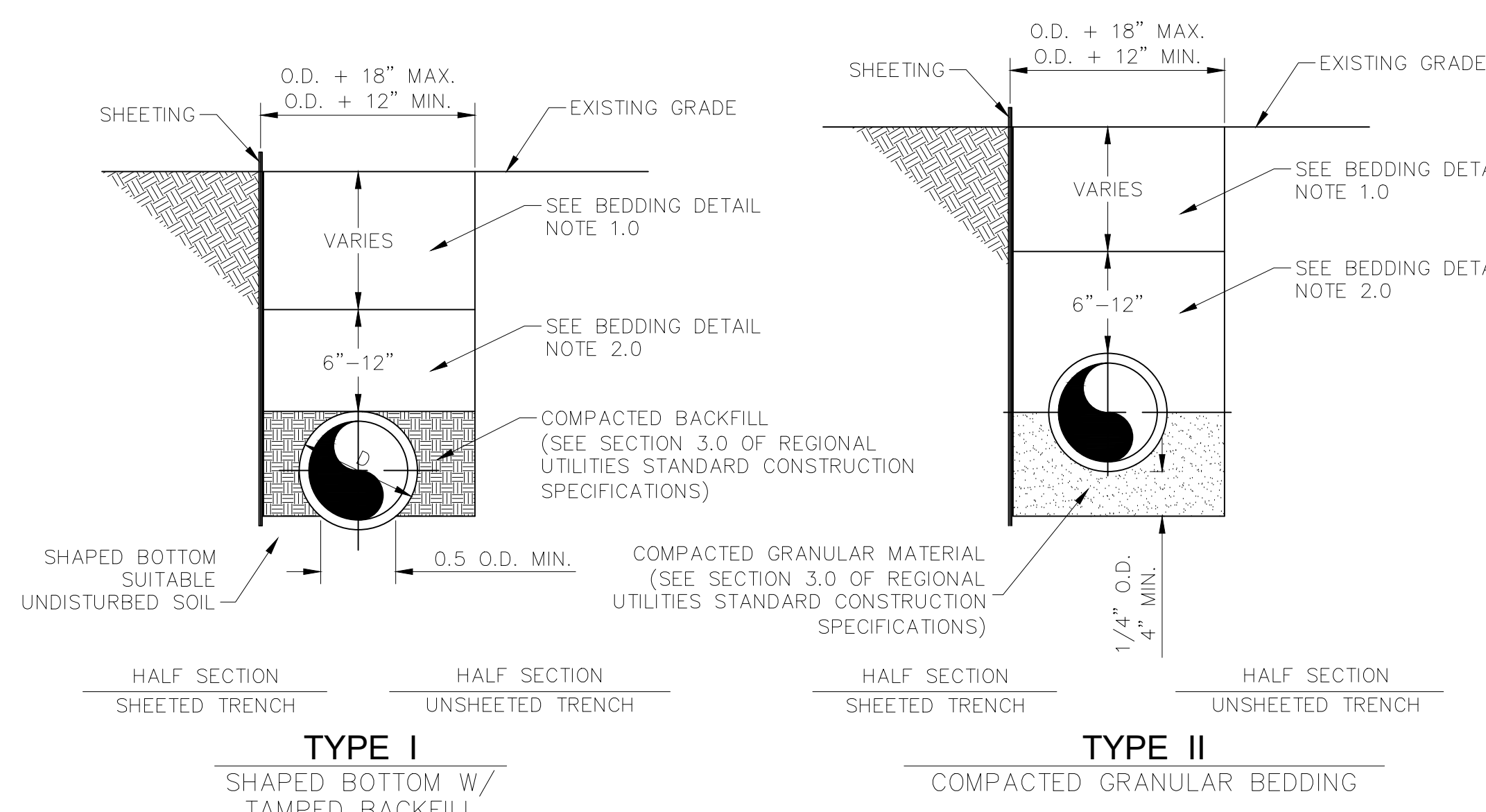


6 GREASE INTERCEPTOR
N.T.S.



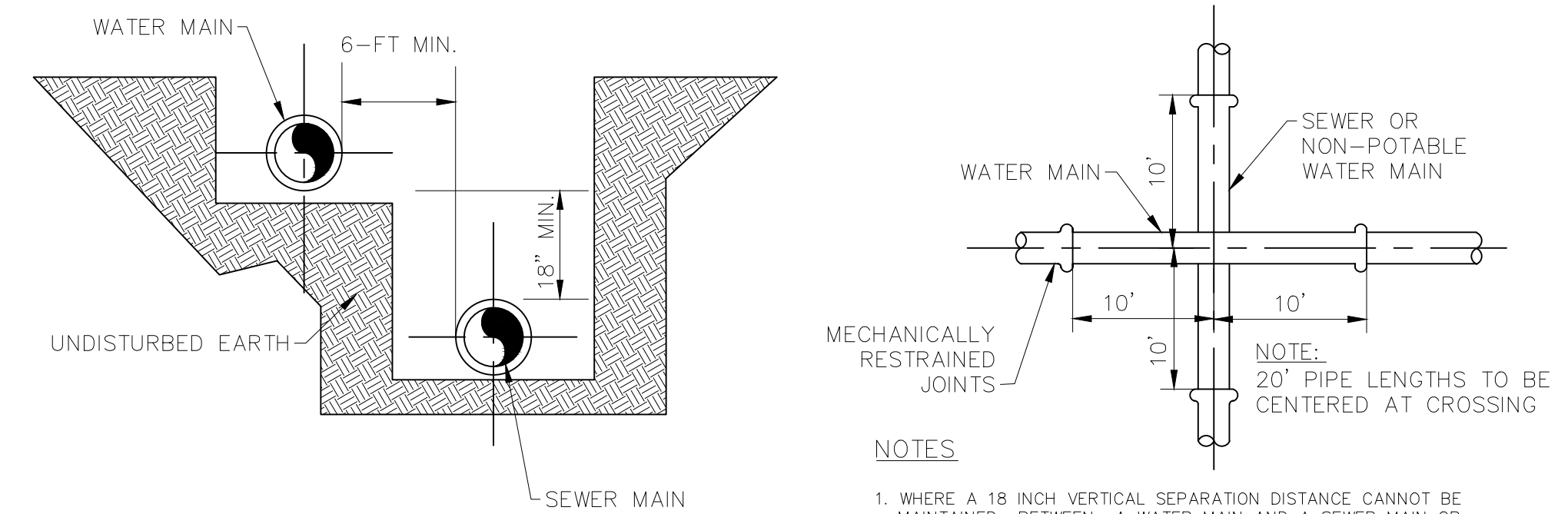
4 PRECAST MANHOLE PIPE CONNECTIONS
N.T.S.

- NOTES:**
1. PRECAST MANHOLE SECTIONS TO BE MANUFACTURED IN ACCORDANCE WITH LATEST EDITIONS OF ASTM C-478 WITH 4,000 LB. CONCRETE, TYPE II CEMENT.
 2. THE INTERIOR AND EXTERIOR OF MANHOLE SHALL BE GIVEN TWO COATS OF FABERTITE BITUMINOUS WATERPROOFING MATERIAL, DO NOT COAT JOINT OR PIPE OPENING SURFACES.
 3. MANHOLE FRAME AND COVER SHALL BE U.S. FOUNDRY E-170 OR EQUIVALENT.
 4. ALL GREASE INTERCEPTORS SHALL BE DESIGNED AND CONSTRUCTED IN ACCORDANCE WITH CHAPTER 10 OF THE 2004 FLORIDA BUILDING CODE, PLUMBING SECTION.



2 TYPICAL BEDDING DETAIL
N.T.S.

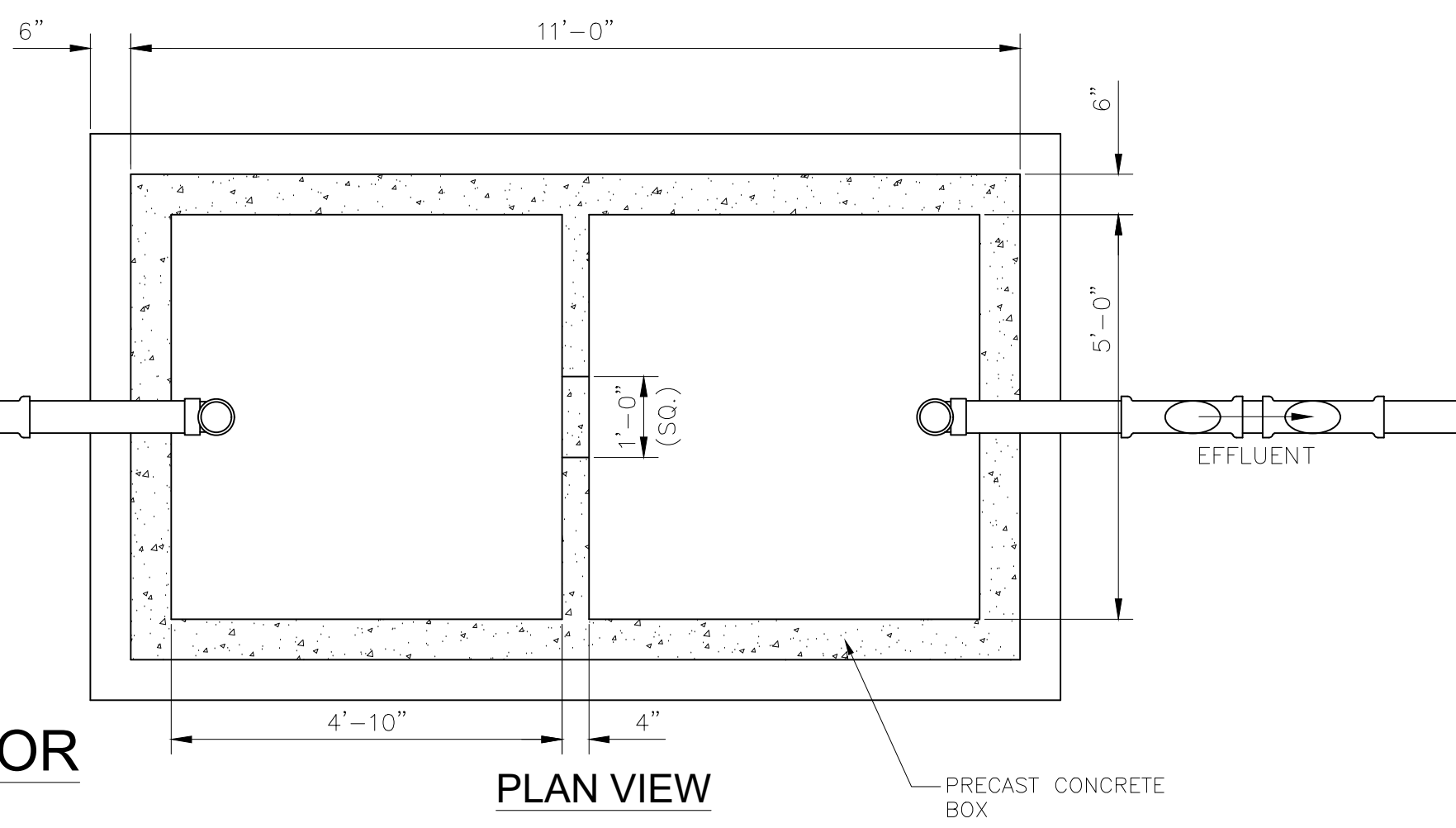
- BEDDING DETAIL NOTES:**
- 1.0 THE BACKFILL TO A POINT TWELVE (12) INCHES ABOVE THE PIPE SHALL BE PLACED BY HAND AND SHALL BE CAREFULLY SELECTED MATERIAL FREE FROM ROCKS, BOULDERS, CLODS, ORGANIC MATERIAL, OR OTHER DEBRIS AND LIGHTLY COMPACTED PRIOR TO PLACING REMAINING BACKFILL. THE BALANCE OF THE BACKFILL MAY BE PLACED IN THE DITCH BY HAND OR BY MECHANICAL EQUIPMENT. NO BACKFILL SHALL BE DROPPED DIRECTLY ONTO EXPOSED PIPE.
 - 2.0 CONTRACTOR SHALL EMPLOY AN EXCAVATOR-MOUNTED TRENCH ROLLER OR OTHER MECHANICAL COMPACTION EQUIPMENT TO PROVIDE BACKFILL DENSITIES OF 95% OR GREATER AT ±2% OPTIMUM MOISTURE CONTENT. SURFACE FLOODING AND WATER JETTING OF BACKFILL SHALL NOT BE PERMITTED FOR BACKFILL CONSOLIDATION.
 - 3.0 ALL BACKFILL SHALL BE IN ACCORDANCE WITH SECTION 3.0 OF REGIONAL UTILITIES CONSTRUCTION SPECIFICATIONS
 - 4.0 PIPE COVER SHALL NOT BE LESS THAN 36 INCHES, NOR GREATER THAN 48 INCHES EXCEPT WHERE SPECIFICALLY SHOWN ON THE CONSTRUCTION DRAWINGS AND APPROVED BY REGIONAL UTILITIES.



- NOTES**
1. WHERE A 10 FOOT PARALLEL SEPARATION CANNOT BE MAINTAINED BETWEEN A WATER MAIN AND A SEWER MAIN OR NON-POTABLE WATER MAIN, THEN THE WATER MAIN SHALL BE LAID IN A SEPARATE TRENCH OR ON AN UNDISTURBED EARTH SHELF AT LEAST 18 INCHES ABOVE THE TOP OF THE SEWER MAIN OR NON-POTABLE WATER MAIN AND 6 FEET HORIZONTALLY FROM THE EDGE OF THE SEWER MAIN OR NON-POTABLE WATER MAIN.
 2. ANYTHING LESS THAN SHOWN MUST BE APPROVED BY THE FLORIDA DEPARTMENT OF ENVIRONMENTAL PROTECTION.

5 WATER/SEWER SEPARATION DETAIL
N.T.S.

APPROVED FOR 2024



7 TYPICAL MANHOLE JOINT DETAIL
N.T.S.

- NOTE:**
USE HYDRAULIC CEMENT GROUT INSIDE AND OUT AT JOINTS AND COAT WITH TWO COATS OF FABERTITE BITUMINOUS WATER PROOFING MATERIAL.

REVISION
APPR.
DATE
INC.

REGIONAL UTILITIES
OPERATED BY FLORIDA COMMUNITY SERVICES CORPORATION OF WALTON COUNTY INC.
Phone: (850) 231-5114
Fax: (850) 231-4924
4432 HWY 98 EAST
Santa Rosa Beach, FL 32459

SANITARY SEWER STAND DETAILS

PROJECT NAME:
SHEET TITLE:

SCALE:
DRAWN BY: RT
CHECKED BY: RAD
PROJECT NO.: 000-000
DRAWING SCALE: N.T.S.
PLOT DATE:
SHEET NO. 2 OF 2
SHEET: S-2